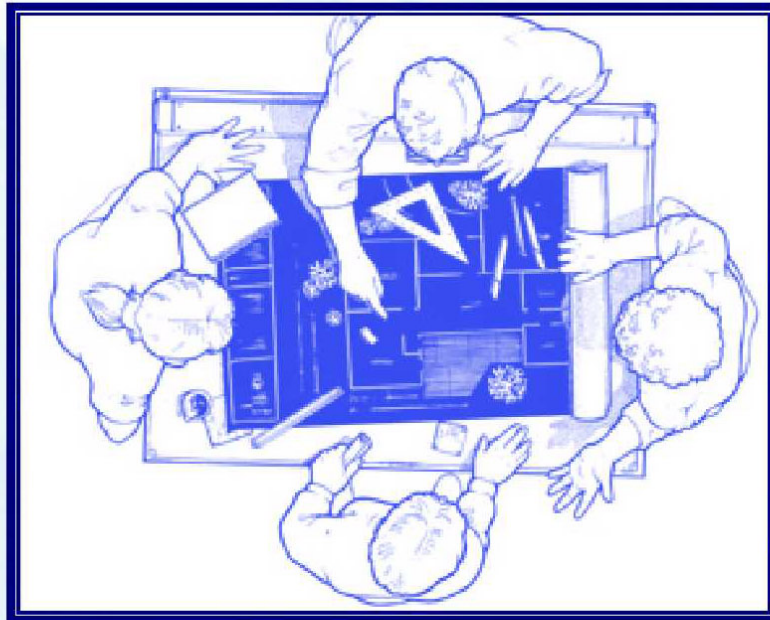


Plumbing Submittal



YUROK CHILDCARE CENTER

Submitted by

FIRST SERVICE PLIMBING

9/20/2024

KEENAN SUPPLY

49 2ND STREET
EUREKA, CA 95501
Phone: 707 443-8453
Fax: 707 443-0195
www.keenaneureka.com

Spec#

Table of Contents

1	***WE OFFER THE FOLLOWING MATERIALS FOR ACCEPTANCE SUBJECT TO ARCHITECTS APPROVAL.***
2	* WC-1
3	798254	KOHLER K-4199-0 12 RGH-IN WHT HIGHLINE 1.6/1.28GPF COMFORT HEIGHT ELONG TOILET BOWL
4	806874	KOHLER K-4467-0 WHT WELLWORTH LH 1.28GPF TOILET TANK
5	875724	MAINLINE ML1055SSC000 WHT ELONG PLAS OPEN FRONT TOILET SEAT W/ SELF-SUSTAINING CHECK HINGE & SS HARDWARE L/ COVER
6	814990	MAINLINE MLB112DLMF 3/8X7/8X12 COMXPBALLCOCK BRAIDED SS TOILET CONN W/ METAL NUTS
7	801577	MAINLINE MLQTCR19CX POL CHROME 1/2NOMX3/8 COMXP COMP ANGLE QTR TURN STOP VLV W/ OVAL HDL LEAD FREE
8	1021788	MAINLINE ML90105 POL CHROME 5/8 OD LOW PAT SURE GRIP FLANGE
9	871281	MAINLINE ML11588 4X3 WAX RING W/ FLG & 1/4X21/4 BRASS BOLTS & DBL NUTS & WASHERS
10	* WC-2
11	860017	AS 3128.001.020 WHT RD 10 DEVORO BABY BOWL
12	861417	AS 4019.228.020 WHT BABY DEVORO 1.28GPF 10 TANK
13	964353	AS 5001G.055.020 WHT BABY DEVORO OPEN FRONT LESS COVER SEAT
14	814990	MAINLINE MLB112DLMF 3/8X7/8X12 COMXPBALLCOCK BRAIDED SS TOILET CONN W/ METAL NUTS
15	801577	MAINLINE MLQTCR19CX POL CHROME 1/2NOMX3/8 COMXP COMP ANGLE QTR TURN STOP VLV W/ OVAL HDL LEAD FREE
16	1021788	MAINLINE ML90105 POL CHROME 5/8 OD LOW PAT SURE GRIP FLANGE

Disclaimer:

The specification sheets provided herein were written and provided by the product's manufacturer and not by Hajoca Corporation. Consequently, Hajoca Corporation cannot assume and disclaims any responsibility for errors, omissions or any misstatements in the product specifications provided herein.

Spec#**Table of Contents**

17	871281	MAINLINE ML11588 4X3 WAX RING W/ FLG & 1/4X21/4 BRASS BOLTS & DBL NUTS & WASHERS
18 *	LA-1
19	2550	KOHLER 2005-0 KINGSTON WHT 23 1/8 X 19 X 14IN VC 3H 4 IN. CENTERSET WM COM LAV SINK
20	668	MOEN L4601 CHATEAU CHROME 1.2 GPM 3H 4 IN. CENTERSET DM SGL LEVER HDL BATH FCT L/ DRAIN
21	1426839	MAINLINE MLGDR 11/4X6 CP 24GA BRASS TAILPIECE W/ OPEN GRID STR
22	890592	MAINLINE MLA9704 11/2 BLK POLYPROPYLENE PLAS J-HOOK P-TRAP W/ ADPT BOXED
23	742039	MAINLINE MLB116AF 3/8X1/2X16 COMPFIP BRAIDED SS LAV CONN LEAD FREE
24	801577	MAINLINE MLQTCR19CX POL CHROME 1/2NOMX3/8 COMPCOMP ANGLE QTR TURN STOP VLV W/ OVAL HDL LEAD FREE
25	1021788	MAINLINE ML90105 POL CHROME 5/8 OD LOW PAT SURE GRIP FLANGE
26	1021793	MAINLINE ML90122 POL CHROME 1-1/2 IPS LOW PAT SURE GRIP FLANGE W/ 3-1/2 OD
27	854501	MAINLINE ML11128 WHT SOFT TRAP & SUPPLY COVER W/ 2 SUPPLY COVERS ADA APPROVED
28 *	S-1
29	140788	ELKAY LRAD1918552 LUSTERTONE CLASSIC LUSTROUS SATIN 18 X 19IN 2H SGL BASIN SS KITCHEN SINK
30	767	MOEN 67425 CHATEAU CHROME 1.5 GPM 3H DM SGL LEVER HDL KITCHEN FCT
31	727870	MAINLINE ML3BN SS DEEP LOCKING CUP ABS POST BSKT STR ASSY W/ SS BSKT THUMB SCREW MNT & ZINC NUT
32	890592	MAINLINE MLA9704 11/2 BLK POLYPROPYLENE PLAS J-HOOK P-TRAP W/ ADPT BOXED

Disclaimer:

The specification sheets provided herein were written and provided by the product's manufacturer and not by Hajoca Corporation. Consequently, Hajoca Corporation cannot assume and disclaims any responsibility for errors, omissions or any misstatements in the product specifications provided herein.

Spec#**Table of Contents**

33	742044	MAINLINE MLB120AF 3/8X1/2X20 COMPFIP BRAIDED SS LAV CONN LEAD FREE
34	801577	MAINLINE MLQTCR19CX POL CHROME 1/2NOMX3/8 COMPCOMP ANGLE QTR TURN STOP VLV W/ OVAL HDL LEAD FREE
35	1021788	MAINLINE ML90105 POL CHROME 5/8 OD LOW PAT SURE GRIP FLANGE
36	1021793	MAINLINE ML90122 POL CHROME 1-1/2 IPS LOW PAT SURE GRIP FLANGE W/ 3-1/2 OD
37	* S-2
38	1419437	ELKAY CHS1716LRSSACTMC BUFFED SATIN 16 3/4 X 15 1/2 X 13IN 1H SGL BASIN WM SS UTIL SINK & FCT COMBO INCL SENSOR FCT, DRAIN FTG, P-TRAP, MIXING VLV
39	890592	MAINLINE MLA9704 11/2 BLK POLYPROPYLENE PLAS J-HOOK P-TRAP W/ ADPT BOXED
40	742044	MAINLINE MLB120AF 3/8X1/2X20 COMPFIP BRAIDED SS LAV CONN LEAD FREE
41	801577	MAINLINE MLQTCR19CX POL CHROME 1/2NOMX3/8 COMPCOMP ANGLE QTR TURN STOP VLV W/ OVAL HDL LEAD FREE
42	1021788	MAINLINE ML90105 POL CHROME 5/8 OD LOW PAT SURE GRIP FLANGE
43	1021793	MAINLINE ML90122 POL CHROME 1-1/2 IPS LOW PAT SURE GRIP FLANGE W/ 3-1/2 OD
44	* HS-1
45	349976	ELKAY CHS1716C BUFFED SATIN 16 3/4 X 15 1/2 X 13IN 2H SGL BASIN WM SS UTIL SINK & FCT COMBO INCL FCT, DRAIN FTG, P-TRAP
46	890592	MAINLINE MLA9704 11/2 BLK POLYPROPYLENE PLAS J-HOOK P-TRAP W/ ADPT BOXED
47	742044	MAINLINE MLB120AF 3/8X1/2X20 COMPFIP BRAIDED SS LAV CONN LEAD FREE

Disclaimer:

The specification sheets provided herein were written and provided by the product's manufacturer and not by Hajoca Corporation. Consequently, Hajoca Corporation cannot assume and disclaims any responsibility for errors, omissions or any misstatements in the product specifications provided herein.

Spec#

Table of Contents

48	801577	MAINLINE MLQTCR19CX POL CHROME 1/2NOMX3/8 COMPXCOMP ANGLE QTR TURN STOP VLV W/ OVAL HDL LEAD FREE
49	1021788	MAINLINE ML90105 POL CHROME 5/8 OD LOW PAT SURE GRIP FLANGE
50	1021793	MAINLINE ML90122 POL CHROME 1-1/2 IPS LOW PAT SURE GRIP FLANGE W/ 3-1/2 OD
51	* WH-1
52	1281322	NAVIEN PNPE0020032B001 NPE-240A2 PREM CONDENSING TANKLESS WATER HEATER 199.9K BTU MAX W/ COMFORTFLOW; INTERNAL PUMP; BUFFER TANK; DUAL SS HEAT EXCHANGERS
53	909161	MAINLINE ML3420RAB-3/4 3/4 THRD BRASS TANKLESS WTR HTR KIT W/ 200K RELIEF VLV LF
54	* MS-1
55	75	FLORESTONE MSR-2424-2 WHT MLSTN MOP SINK W/2 GASKET
56	19819	ZLC JP1996-SF WM SERVICE SINK FCT NOT FOR POTABLE WATER USE
57	* WB-1
58	36148	IPS 82032 B200 GUY GRAY GALV CTR DRN WASHMACH BOX
59	* FS-1
60	18052	ZLC FD2375-NH4 4NH 12X12X6 CI ARE FLR SINK
61	* FD-1
62	921402	ZLC LC-FR05NI 5" FLOOR DRAIN PNB TOP

Disclaimer:

The specification sheets provided herein were written and provided by the product's manufacturer and not by Hajoca Corporation. Consequently, Hajoca Corporation cannot assume and disclaims any responsibility for errors, omissions or any misstatements in the product specifications provided herein.

Spec#

Table of Contents

63	*	TP-1
64	1229451	MAINLINE MLPR-500 1/2MIP X 1/2 FIP PRES DROP ACTIVATED TRAP PRIMER VLV UP TO 1-2 FLOOR DRAINS	
65	*	P-1
66	908726	LIBERTY P382XPRG101 1HP 115V GRINDER PUMP	

Disclaimer:

The specification sheets provided herein were written and provided by the product's manufacturer and not by Hajoca Corporation. Consequently, Hajoca Corporation cannot assume and disclaims any responsibility for errors, omissions or any misstatements in the product specifications provided herein.

*****WE OFFER THE FOLLOWING MATERIALS
FOR ACCEPTANCE SUBJECT TO
ARCHITECTS APPROVAL.*****



*

WC-1



KOHLER®**Highline®**
Elongated toilet bowl
K-4199**Features**

- Elongated bowl offers added room and comfort
- Comfort Height® feature offers chair-height seating that makes sitting down and standing up easier for most adults
- Combines with a K-4467/-RA, K-4468/-RA, or K-4841/-RA tank to create a complete 3999/-RA, K-3979/-RA, or K-3949/-RA toilet

Installation

- Standard 12" (305 mm) rough-in
- Three-bolt quick-connect installation

Recommended Products/Accessories

K-4467 Toilet tank, 1.28 gpf
 K-4841 Toilet tank, 1.28 gpf
 K-4467-RA Toilet tank, 1.28 gpf
 K-4841-RA Toilet tank, 1.28 gpf
 K-23726 Drain treatment




**Codes/Standards**

ASME A112.19.2/CSA B45.1

KOHLER® Toilets and Seats Limited Warranty

See website for detailed warranty information.

Available Colors/Finishes*Color tiles intended for reference only.*

Color	Code	Description
	0	White
	96	Biscuit
	7	Black Black™

798254

1-800-4KOHLER (1-800-456-4537)

Kohler Co. reserves the right to make revisions without notice to product specifications.

For the most current Specification Sheet, go to www.kohler.com USA or www.kohler.ca Canada

7-3-2024 19:54 - US

THE BOLD LOOK
OF **KOHLER**



KOHLER®**Wellworth®**
Toilet tank, 1.28 gpf
K-4467**Features**

- Left-hand Polished Chrome trip lever
- Combines with the K-4199 bowl to create a complete K-3999 Highline toilet
- Combines with the K-5393 bowl to create a complete K-5481 Highline® toilet
- Coordinates with other products in the Wellworth collection
- KOHLER's canister flush valve harnesses the natural force of gravity and optimizes flushing performance
- 1.28 gpf (4.8 lpf)
- Class Five® canister optimizes the flow out of the tank, harnessing gravity and the natural powerful reducing cascade of water to increase the power and effectiveness of the flush



806874

Installation

- Supply line sold separately

Recommended Products/Accessories

K-4199 Elongated toilet bowl
K-23726 Drain treatment

**Codes/Standards**




ASME A112.19.2/CSA B45.1
EPA WaterSense®
IAPMO Certification

KOHLER® Toilets and Seats Limited Warranty

See website for detailed warranty information.

Available Colors/Finishes

Color tiles intended for reference only.

Color	Code	Description
	0	White
	96	Biscuit
	7	Black Black™

1-800-4KOHLER (1-800-456-4537)

Kohler Co. reserves the right to make revisions without notice to product specifications.

For the most current Specification Sheet, go to www.kohler.com USA or www.kohler.ca Canada

7-3-2024 20:24 - US

THE BOLD LOOK
OF **KOHLER** 



Plastic Commercial Elongated Toilet Seat

Product Specifications

Description

Open front less cover, elongated, heavy-duty, injection molded solid plastic toilet seat. Features two molded-in bumpers, non self-sustaining (1055), or self-sustaining (1055SSC), check hinges with non-corrosive 300 Series stainless steel posts, pintles and hardware. This seat complies with American National Standard Z124.5 Toilet (Water Closet) Seats as a class Commercial Heavy Duty.

Model: ML1055 / ML1055SSC

Specifications	
Size:	Elongated
Weight:	2.9 lbs
Color:	White (000)
Material:	Plastic
Style:	Open Front less Cover
Bumpers:	Two
Hinges:	Plastic Non Self-Sustaining (1055), or Self-Sustaining (1055SSC), with 300 Series Stainless Steel Posts and Pintles
Fastening System:	Non-Corrosive 300 Series Stainless Steel Hardware



875724

ML1055

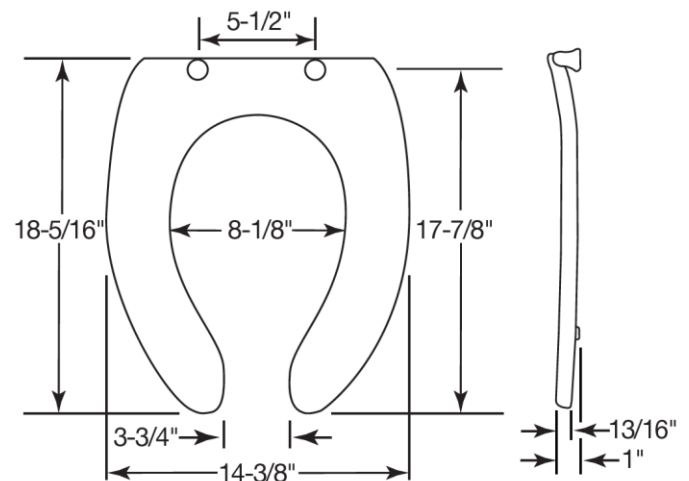


PLASTIC HINGES WITH
STAINLESS STEEL POSTS
AND PINTLES

ML1055SSC



NON-CORROSIVE
STAINLESS STEEL
HARDWARE



Warranty

See warranty information for more details.

All dimensions listed are nominal. MAINLINE® reserves the right to make product and material changes at any time without notice.



Complies with
IAPMO/ANSI Z124.5
Performance Standards
Heavy-Duty Commercial



Contact your sales representative for more information or visit our website at mainlinecollection.com

Revised 6/8





Lead Free* Closet Connector - 3/8" Comp. x 7/8" Ballcock

Product Specifications

MAINLINE®

FEATURES

- Temperature: 200° Fahrenheit Maximum Working Temperature
- Pressure: 125 PSI Maximum Burst Pressure
- Material: Stainless Steel Braid, Brass Nuts, Brass Barbs, Rubber Washers, Stainless Steel Ferrules

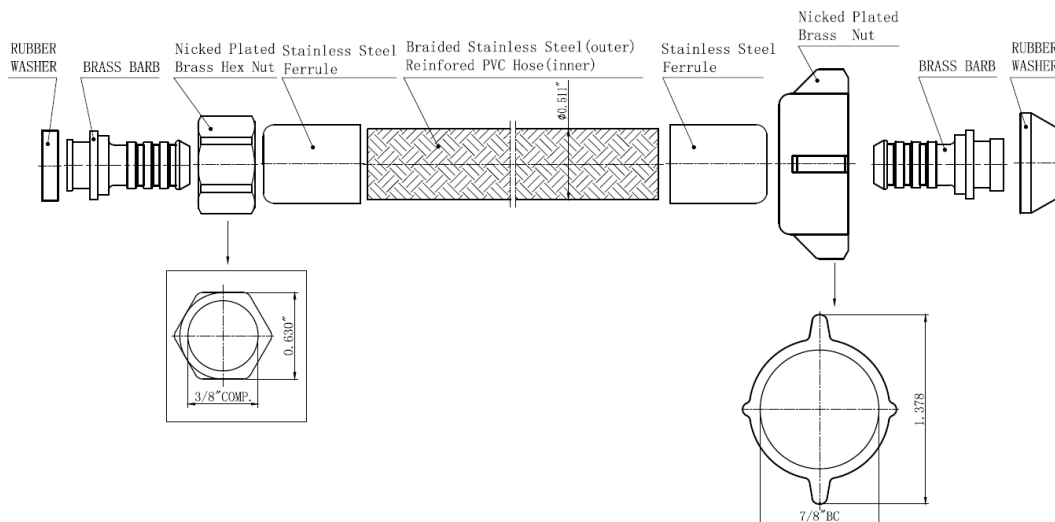
APPLICABLE STANDARDS/CODES

Specified model meets or exceeds the following:

- ASME A112.18.6/ CSA B125.6
- IAPMO/cUPC
- NSF/ANSI 372
- NSF/ANSI 61 – Sec. 9
- *≤ .25% Pb


814990

✓ To Submit	Part #	Description	Connector Length (in)
	MLB19DLMF	Lead Free* Closet Connector - 3/8 Comp. x 7/8 Ballcock	9"
	MLB112DLMF	Lead Free* Closet Connector - 3/8 Comp. x 7/8 Ballcock	12"
	MLB116DLMF	Lead Free* Closet Connector - 3/8 Comp. x 7/8 Ballcock	16"
	MLB120DLMF	Lead Free* Closet Connector - 3/8 Comp. x 7/8 Ballcock	20"



Warranty

See warranty information for more details.

All dimensions listed are nominal. MAINLINE® reserves the right to make product and material changes at any time without notice.

 NSF/ANSI 372
NSF/ANSI 61-9


Contact your sales representative for more information or visit our website at mainlinecollection.com

Revised 7/9





Water Supply Angle Stop Valve

Product Specifications

FEATURES

- Easy Quarter Turn Operation
- Inlet - 1/2" Nom. Comp. (5/8" O.D.)
- Outlet - 3/8" O.D. Comp.
- Temperature: 40° to 140° Fahrenheit
- Pressure: 125 PSI Maximum
- Material: Machined One Piece Brass Body
- Brass Stem and Chrome Ball
- Chrome Plated

APPLICABLE STANDARDS/CODES

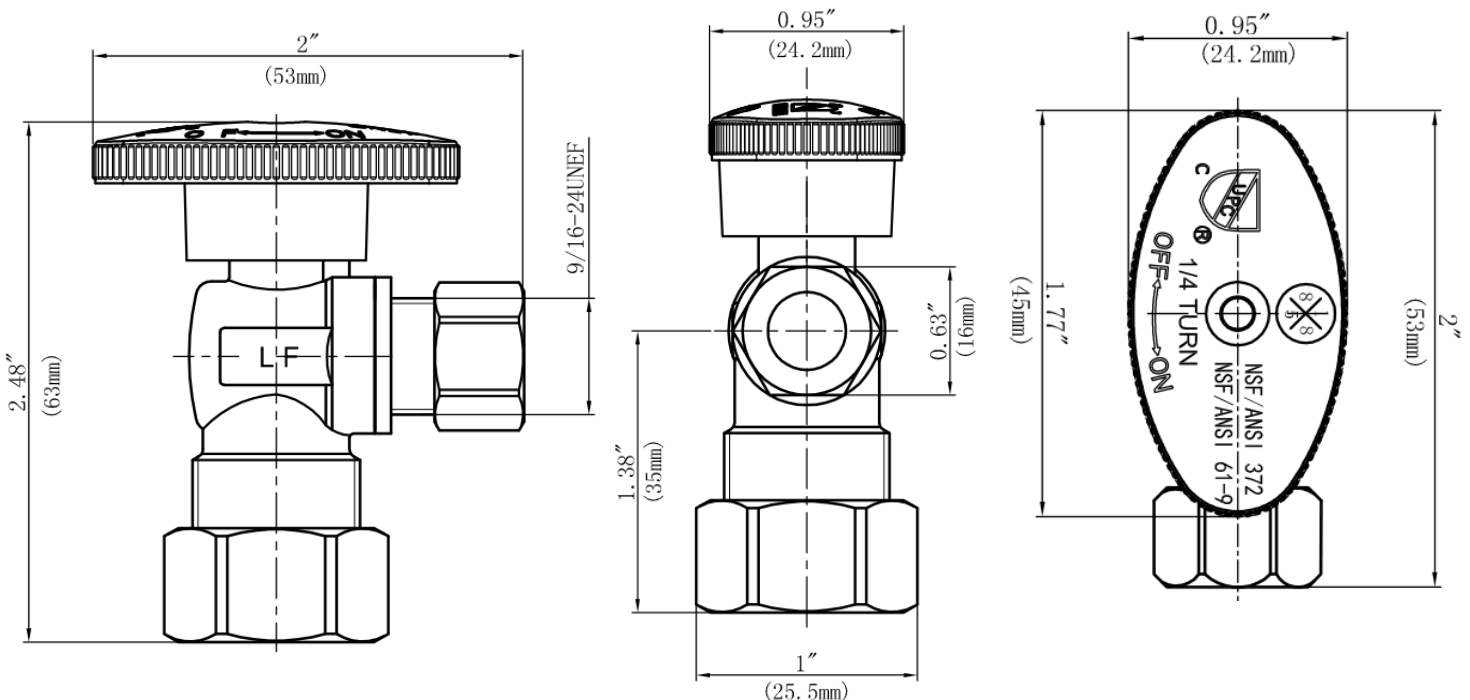
Specified model meets or exceeds the following:

- ASME A112.18.1/CSA B125.1
- IAPMO/cUPC
- NSF/ANSI 372
- NSF/ANSI 61 – Sec. 9
- *≤ .25% Pb



801577

MLQTCR19CX



Warranty

See warranty information for more details.

All dimensions listed are nominal. MAINLINE® reserves the right to make product and material changes at any time without notice.

NSF/ANSI 372
NSF/ANSI 61-9



Contact your sales representative for more information or visit our website at mainlinecollection.com





Sure Grip Low Pattern Flange

Product Specifications

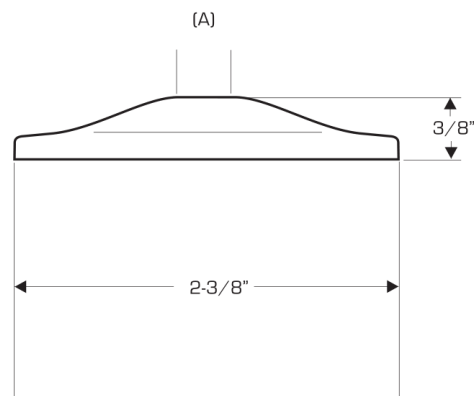
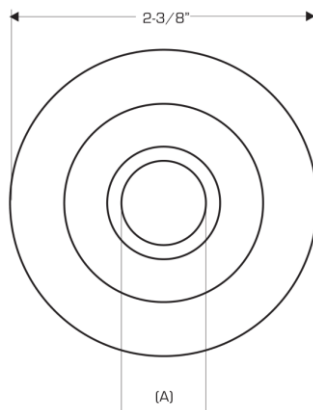
TECHNICAL SPECS

- Description: Sure Grip Low Pattern
- Type: Escutcheon
- Material: Metal
- Application: Universal
- Finish: Chrome Plated



1021788

✓ To Submit	Part #	Description	(A) Escutcheon Diameter - inches
	ML90101	Sure Grip Low Pattern Flange	3/8" IPS
	ML90102	Sure Grip Low Pattern Flange	1/2" IPS
	ML90111	Sure Grip Low Pattern Flange	3/4" IPS
	ML90112	Sure Grip Low Pattern Flange	1" IPS
	ML90103	Sure Grip Low Pattern Flange	1 1/2" IPS (3" OD)
	ML90122	Sure Grip Low Pattern Flange	1 1/2" IPS (3 1/2" OD)
	ML90104	Sure Grip Low Pattern Flange	2" IPS
	ML90105	Sure Grip Low Pattern Flange	5/8" OD
	ML90106	Sure Grip Low Pattern Flange	7/8" OD
	ML90107	Sure Grip Low Pattern Flange	1 1/8" OD



Warranty

See warranty information for more details.

All dimensions listed are nominal. MAINLINE® reserves the right to make product and material changes at any time without notice.



Contact your sales representative for more information or visit our website at mainlinecollection.com





Wax Rings

Product Specifications

Description

Mainline wax rings fit 3" and 4" waste lines. They extend short horn bowls and will not harden or deteriorate. They form a gas-tight, odor-tight and water-tight seal.

Directions for Use

- Be sure the wax ring is at room temperature (about 70°F). If wax ring is too cold a good seal may not be made or the toilet bowl could crack while making the installation.
- With the toilet bowl upside down on a protective pad or blanket, place the wax ring around the discharge opening. Press firmly to assure adhesion when the toilet is inverted.
- Using Mainline Stay Soft Putty make a putty ring about 1 inch high around the outside rim of the toilet. This will make a seal between the toilet rim and the floor.
- Carefully set toilet down on bolts and twist bowl slightly to spread wax and putty to make a tight seal. Tighten bolts carefully to prevent breaking the bowl.

BOWL WAX RINGS

✓ To Submit	Part No.	Description
	ML11580	3" or 4" Wax Ring
	ML11581	3" or 4" Reinforced Wax Ring (Wall or Floor)
	ML11582	3" or 4" Deep Wax Ring
	ML11583	3" or 4" Wax Ring with Flange
	ML11584	4" Wax Ring with Flange
	ML11585	3" or 4" Reinforced Wax Ring with Flange
	ML11586	3" or 4" Deep Wax Ring with Flange

BOWL WAX RINGS WITH BOLTS

✓ To Submit	Part No.	Description
	ML11587	3" or 4" Wax Ring with 1/4" X 2-1/4" Brass Bolts
	ML11588	3" or 4" Wax Ring with Flange 1/4" X 2-1/4" Brass Bolts
	ML11589	4" Wax Ring with Flange 1/4" x 2-1/2" Brass Bolts
	ML11590	3" or 4" Deep Wax Ring with Flange 1/4" X 3-1/2" Brass Bolts

URINAL WAX RINGS

✓ To Submit	Part No.	Description
	ML11591	2" Reinforced Urinal Wax Ring



MSDS

See MSDS sheet for more details.

Warranty

See warranty information for more details.

All dimensions listed are nominal. MAINLINE® reserves the right to make product and material changes at any time without notice.



Contact your sales representative for more information or visit our website at mainlinecollection.com



*
WC-2





Baby Devoro™ FloWise® 10" High Elongated Toilet

VITREOUS CHINA

860017

Baby Devoro™ FloWise® 10" High Elongated Toilet

- 2315.228**
 - Vitreous china
 - High Efficiency, Low Consumption (4.8 Lpf / 1.28 gpf)
 - Meets definition of HET (High Efficiency Toilet)
 - 10-1/4" rim height
 - 10" roughing-in
 - Elongated siphon action bowl
 - Chrome trip lever
 - Sanitary dam on bowl
 - Fully glazed trapway
 - 2 color-matched bolt caps
 - ADA and TAS Compliant
- 3128.001** Elongated Bowl with bolt caps
- 4019.228** Tank complete with coupling components and tank trim (1.28gpf / 4.8Lpf)

Nominal Dimensions:

633 x 439 x 622mm
(25" x 17-1/4" x 24-1/2")

Alternative Tank Configurations Available:

- 4019.613** Tank with locking device complete with coupling components and tank trim
- 4019.828** Tank complete with trip lever on right side

Fixture only, seat and supply are not included and must be purchased separately.

Compliance Certifications -

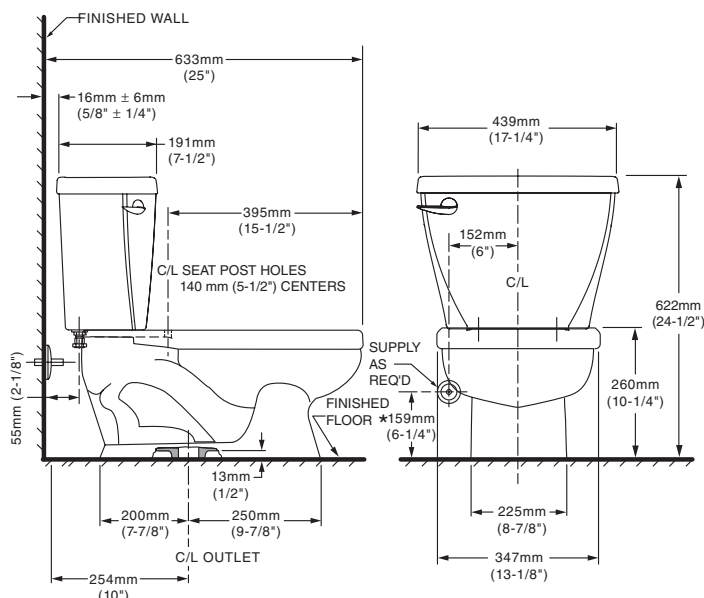
Meets or Exceeds the Following Specifications:

- ASME A112.19.2-2008 / CSA B45.1-08 for Vitreous China Fixtures

System MaP* Score:

- 500 grams of miso @ 1.28 gpf

* Maximum Performance (MaP) testing performed by IAPMO R&T Lab. MaP Report conducted by Veritec Consulting, Inc. and Koeller and Company.



NOTES:

THIS COMBINATION IS DESIGNED TO ROUGH-IN AT A MINIMUM DIMENSION OF 254mm (10) FROM FINISHED WALL TO C/L OF OUTLET
* DIMENSION SHOWN FOR LOCATION OF SUPPLY IS SUGGESTED.
SUPPLY NOT INCLUDED AND MUST BE ORDERED SEPARATELY.

IMPORTANT: Dimensions of fixtures are nominal and may vary within the range of tolerances established by ANSI Standard A112.19.2. These measurements are subject to change or cancellation. No responsibility is assumed for use of superseded or voided pages.

To Be Specified:

- Color: White
- Seat: #5001G.055 Baby Devoro Seat open front with EverClean® less cover
- Supply with Stop:



COMMERCIAL TOILET SEAT FOR BABY DEVORO BOWLS

COMMERCIAL TOILET SEAT FOR BABY DEVORO BOWLS

- For Baby Devoro bowls 2315.228 and 2282.001
- Open front toilet seat less cover
- Injection molded solid polypropylene
- EverClean® antimicrobial surface inhibits the growth of stain- and odor-causing bacteria, mold, and mildew on the surface.

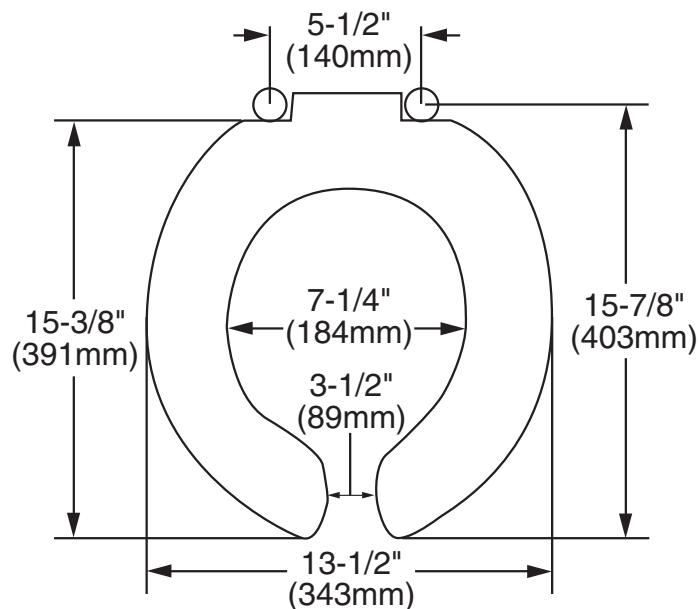
- 5001G.055** Plastic Open Rim
Antimicrobial Infant Seat



964353

To Be Specified:

- Color: White



Ring thickness is 13/16" (21mm)

Ring thickness including the bumper is 1-1/4" (32mm)

Height of the seat is 1-3/4" (44mm)



Lead Free* Closet Connector - 3/8" Comp. x 7/8" Ballcock



Product Specifications

MAINLINE®

FEATURES

- Temperature: 200° Fahrenheit Maximum Working Temperature
- Pressure: 125 PSI Maximum Burst Pressure
- Material: Stainless Steel Braid, Brass Nuts, Brass Barbs, Rubber Washers, Stainless Steel Ferrules

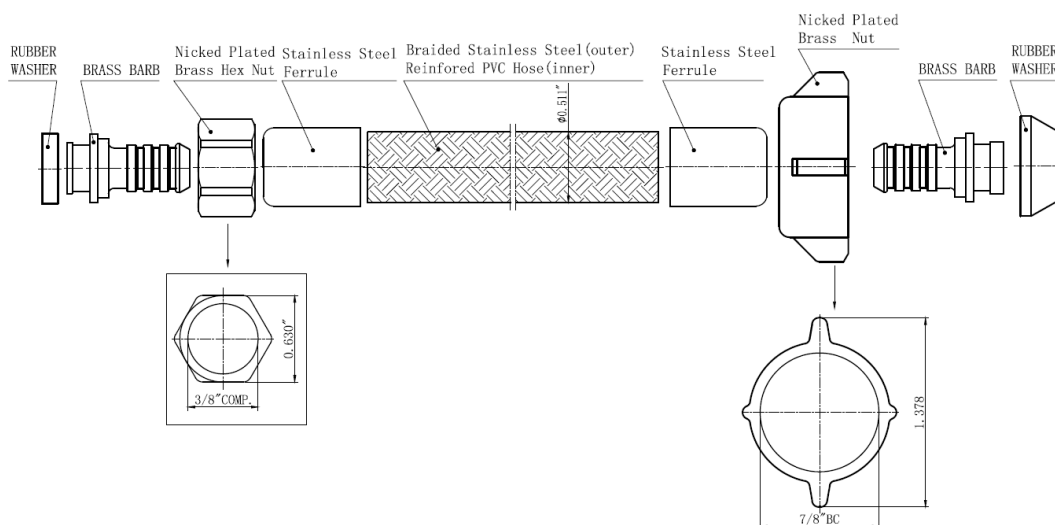
APPLICABLE STANDARDS/CODES

Specified model meets or exceeds the following:

- ASME A112.18.6/ CSA B125.6
- IAPMO/cUPC
- NSF/ANSI 372
- NSF/ANSI 61 – Sec. 9
- *≤ .25% Pb


814990

✓ To Submit	Part #	Description	Connector Length (in)
	MLB19DLMF	Lead Free* Closet Connector - 3/8 Comp. x 7/8 Ballcock	9"
	MLB112DLMF	Lead Free* Closet Connector - 3/8 Comp. x 7/8 Ballcock	12"
	MLB116DLMF	Lead Free* Closet Connector - 3/8 Comp. x 7/8 Ballcock	16"
	MLB120DLMF	Lead Free* Closet Connector - 3/8 Comp. x 7/8 Ballcock	20"



Warranty

See warranty information for more details.

All dimensions listed are nominal. MAINLINE® reserves the right to make product and material changes at any time without notice.

 NSF/ANSI 372
NSF/ANSI 61-9


Contact your sales representative for more information or visit our website at mainlinecollection.com





Water Supply Angle Stop Valve

Product Specifications

FEATURES

- Easy Quarter Turn Operation
- Inlet - 1/2" Nom. Comp. (5/8" O.D.)
- Outlet - 3/8" O.D. Comp.
- Temperature: 40° to 140° Fahrenheit
- Pressure: 125 PSI Maximum
- Material: Machined One Piece Brass Body
- Brass Stem and Chrome Ball
- Chrome Plated

APPLICABLE STANDARDS/CODES

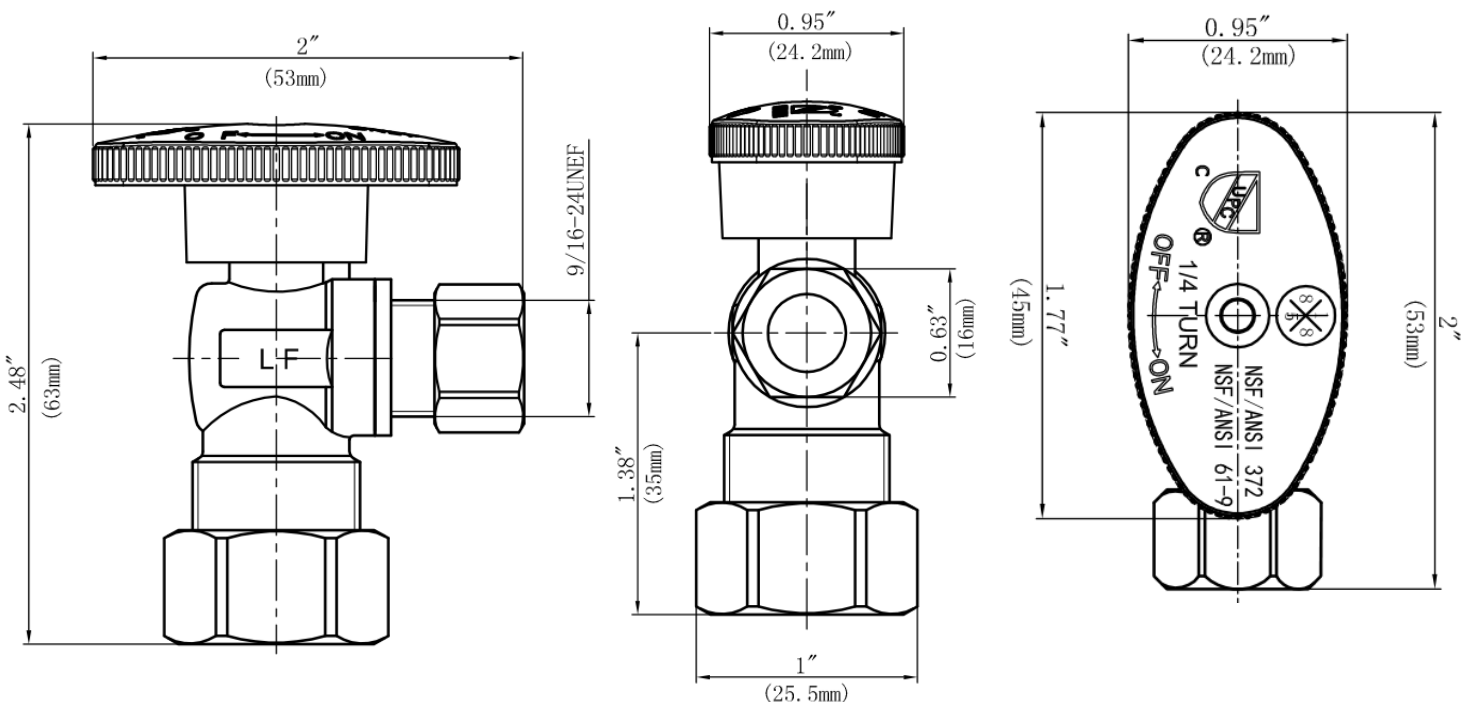
Specified model meets or exceeds the following:

- ASME A112.18.1/CSA B125.1
- IAPMO/cUPC
- NSF/ANSI 372
- NSF/ANSI 61 – Sec. 9
- *≤ .25% Pb



801577

MLQTCR19CX



Warranty

See warranty information for more details.

All dimensions listed are nominal. MAINLINE® reserves the right to make product and material changes at any time without notice.

NSF/ANSI 372
NSF/ANSI 61-9



Contact your sales representative for more information or visit our website at mainlinecollection.com





Sure Grip Low Pattern Flange

Product Specifications

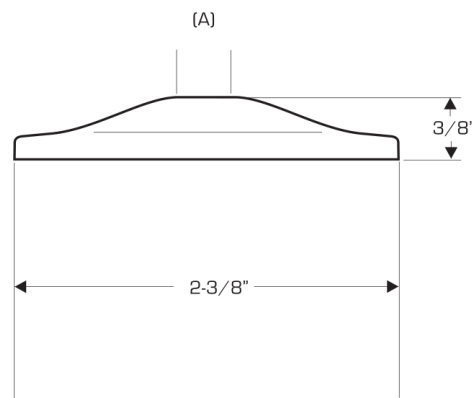
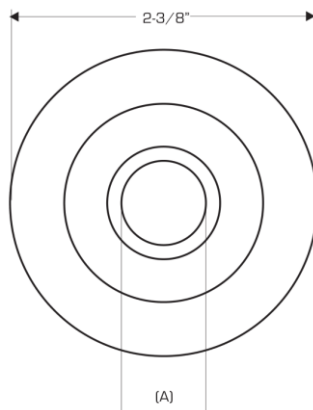


1021788

TECHNICAL SPECS

- Description: Sure Grip Low Pattern
- Type: Escutcheon
- Material: Metal
- Application: Universal
- Finish: Chrome Plated

✓ To Submit	Part #	Description	(A) Escutcheon Diameter - inches
	ML90101	Sure Grip Low Pattern Flange	3/8" IPS
	ML90102	Sure Grip Low Pattern Flange	1/2" IPS
	ML90111	Sure Grip Low Pattern Flange	3/4" IPS
	ML90112	Sure Grip Low Pattern Flange	1" IPS
	ML90103	Sure Grip Low Pattern Flange	1 1/2" IPS (3" OD)
	ML90122	Sure Grip Low Pattern Flange	1 1/2" IPS (3 1/2" OD)
	ML90104	Sure Grip Low Pattern Flange	2" IPS
	ML90105	Sure Grip Low Pattern Flange	5/8" OD
	ML90106	Sure Grip Low Pattern Flange	7/8" OD
	ML90107	Sure Grip Low Pattern Flange	1 1/8" OD



Warranty

See warranty information for more details.

All dimensions listed are nominal. MAINLINE® reserves the right to make product and material changes at any time without notice.



Contact your sales representative for more information or visit our website at mainlinecollection.com





Wax Rings

Product Specifications

Description

Mainline wax rings fit 3" and 4" waste lines. They extend short horn bowls and will not harden or deteriorate. They form a gas-tight, odor-tight and water-tight seal.

Directions for Use

- Be sure the wax ring is at room temperature (about 70°F). If wax ring is too cold a good seal may not be made or the toilet bowl could crack while making the installation.
- With the toilet bowl upside down on a protective pad or blanket, place the wax ring around the discharge opening. Press firmly to assure adhesion when the toilet is inverted.
- Using Mainline Stay Soft Putty make a putty ring about 1 inch high around the outside rim of the toilet. This will make a seal between the toilet rim and the floor.
- Carefully set toilet down on bolts and twist bowl slightly to spread wax and putty to make a tight seal. Tighten bolts carefully to prevent breaking the bowl.

BOWL WAX RINGS

✓ To Submit	Part No.	Description
	ML11580	3" or 4" Wax Ring
	ML11581	3" or 4" Reinforced Wax Ring (Wall or Floor)
	ML11582	3" or 4" Deep Wax Ring
	ML11583	3" or 4" Wax Ring with Flange
	ML11584	4" Wax Ring with Flange
	ML11585	3" or 4" Reinforced Wax Ring with Flange
	ML11586	3" or 4" Deep Wax Ring with Flange

BOWL WAX RINGS WITH BOLTS

✓ To Submit	Part No.	Description
	ML11587	3" or 4" Wax Ring with 1/4" X 2-1/4" Brass Bolts
	ML11588	3" or 4" Wax Ring with Flange 1/4" X 2-1/4" Brass Bolts
	ML11589	4" Wax Ring with Flange 1/4" x 2-1/2" Brass Bolts
	ML11590	3" or 4" Deep Wax Ring with Flange 1/4" X 3-1/2" Brass Bolts

URINAL WAX RINGS

✓ To Submit	Part No.	Description
	ML11591	2" Reinforced Urinal Wax Ring



MSDS

See MSDS sheet for more details.

Warranty

See warranty information for more details.

All dimensions listed are nominal. MAINLINE® reserves the right to make product and material changes at any time without notice.



Contact your sales representative for more information or visit our website at mainlinecollection.com



*
LA-1



KOHLER®**Kingston™**
Wall-Mount Bathroom Sink
K-2005**Features**

- Made from premium materials that withstand high-volume usage
- 21-1/4" (540 mm) x 18-1/8" (460 mm)
- Faucet sold separately
- Includes wall hanger

Material

- Vitreous china

Installation

- Wall-mount
- Drilled for concealed arm carrier installation

Recommended Products/Accessories

K-8998 P-Trap
K-23726 Drain treatment
K-23725 Cast iron cleaner



2550

ADA

CSA B651

Codes/Standards




ASME A112.19.2/CSA B45.1
ADA
ICC/ANSI A117.1
CSA B651
IAPMO Certification

**KOHLER® One-Year Limited
Warranty**

See website for detailed warranty information.

Available Colors/Finishes

Color tiles intended for reference only.

Color	Code	Description
	0	White
	96	Biscuit
	7	Black Black™

1-800-4KOHLER (1-800-456-4537)

Kohler Co. reserves the right to make revisions without notice to product specifications.

For the most current Specification Sheet, go to www.kohler.com USA or www.kohler.ca Canada

7-3-2024 20:40 - US

THE BOLD LOOK
OF **KOHLER**

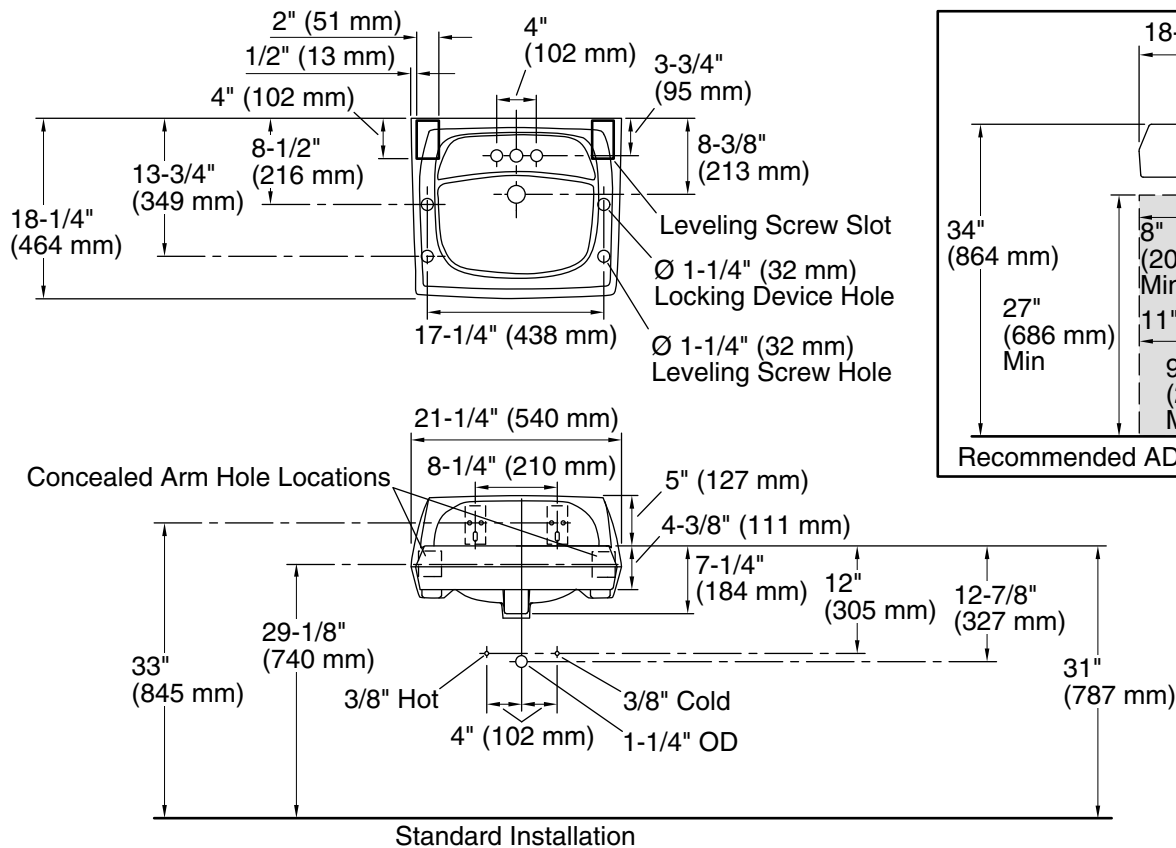


KOHLER

Kingston™

Wall-Mount Bathroom Sink

K-2005



2550

Technical Information

All product dimensions are nominal.

Bowl configuration:	Single
Center(s):	4
Bowl area (Only):	Length: 16" (406 mm) Width: 10" (254 mm) Water depth: 3-1/8" (79 mm)
With overflow:	Yes
Number of deck holes:	3
Faucet hole spacing:	4" (102 mm)
Soap/Lotion hole:	1-1/4" (32 mm)
Drain hole:	1-3/4" (44 mm)

Notes

Install this product according to the installation instructions.

ADA, CSA B651 compliant when installed to the specific requirements of these regulations.

1-800-4KOHLER (1-800-456-4537)

Kohler Co. reserves the right to make revisions without notice to product specifications.

For the most current Specification Sheet, go to www.kohler.com USA or www.kohler.ca Canada

7-3-2024 20:40 - US

THE BOLD LOOK
OF **KOHLER**





Buy it for looks. Buy it for life.®

*There is more than 1 version of this model.
Page down to identify the version you have.*

DESCRIPTION

- Metal construction with various finishes identified by suffix
- 1/2" IPS connections
- Includes metal or 50/50 pop-up type waste assembly where noted

OPERATION

- Pivot action lever style handle
- Temperature controlled through 100° degree arc of handle travel

FLOW

- Water usage is limited to these maximum flow rates as indicated by the corresponding product markings
 - 1.2 gpm max (4.5L/min) at 60 psi
 - 1.5 gpm max (5.7L/min) at 60 psi

CARTRIDGE

- 1255™ Duralast™ cartridge
- Nonmetallic/nonferrous and stainless steel material

STANDARDS

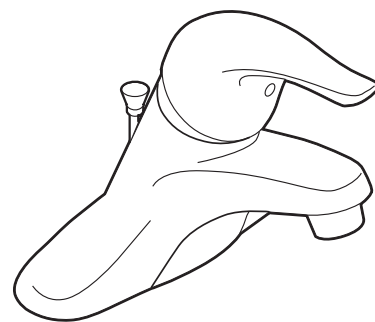
- Third party certified to WaterSense®, ASME A112.18.1/CSA B125.1 and all applicable requirements referenced therein
- Certified to NSF 61/9 & 372
- Products marked with 1.2 gpm are compliant with California water efficiency regulations
- Complies with California Proposition 65 and with the Federal Safe Drinking Water Act

- ADA  for lever handle

WARRANTY

- Lifetime limited warranty against leaks, drips and finish defects to the original consumer purchaser
- 5 year warranty if used in commercial installations

Specifications



CHATEAU® Single-Handle Lavatory Faucet

with Metal Waste Assembly
Models: L4621 series

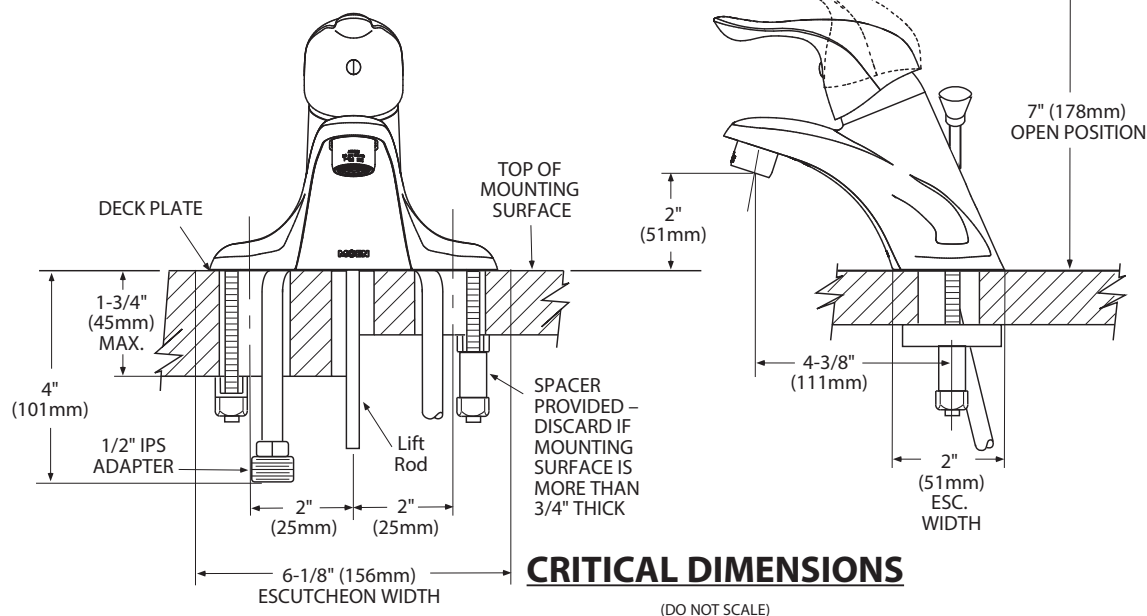
Bulk Pack Models (12 Per Carton):
L64620 series

with 50/50 Waste Assembly
Bulk Pack Model (12 Per Carton): L64621 series

Less Waste
Model: L4601 series

Bulk Pack Model (12 Per Carton):
L64601 series

NOTE: THIS FAUCET IS DESIGNED TO BE
INSTALLED THRU 3-1" DIA. HOLES, 2" ON CENTER



Grid Drain with Overflow

grille de vidange avec trop-plein

desagüe de rejilla con rebosadero

Product Specifications



MAINLINE



MLGDR

FEATURES

- 19-Hole Commercial Grid Drain With Overflow
- 1-1/4" Metal Construction
- 24 gauge Tailpiece
- Chrome Plated

CARACTÉRISTIQUES

- Grille de drain industriel à 19 trous trop-plein
- Fabrication en métal 1 1/4 po
- Pièce de raccordement – calibre 24
- Plaqué chrome

CARACTERÍSTICAS

- Rejilla de desagüe industrial de 19 agujeros
- Construcción metálica de 1 1/4
- Pieza de conexión de calibre 24
- Cromado

APPLICABLE STANDARDS/CODES

Specified model meets or exceeds the following:

NORMES ET CODES APPLICABLES

Le modèle spécifié est conforme aux normes suivantes ou les dépasse:

NORMAS Y ESTÁNDARES APLICABLES

El modelo especificado reúne o sobrepasa las siguientes condiciones

- IAPMO/cUPC

1426839



Contact your sales representative for more information or visit our website at mainlinecollection.com

Revised 6/6



Grid Drain with Overflow

grille de vidange avec trop-plein

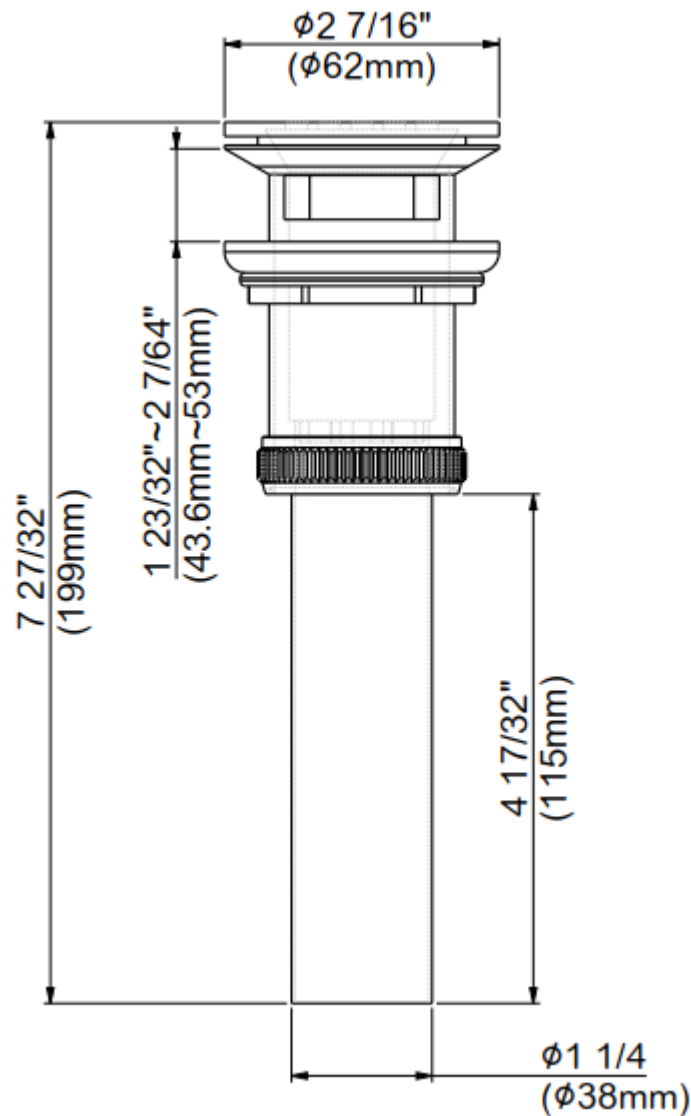
desagüe de rejilla con rebosadero

Product Specifications



MAINLINE

MLGDR



1426839



Contact your sales representative for more information or visit our website at mainlinecollection.com

Revised 6/6





J-Hook Tube P-Trap

Product Specifications

FEATURES

- 1-1/2" Poly Washers
- Includes 1-1/2" x 1-1/4" Reducing Washer
- NW model does not have wing nut



890592

✓ To Submit	Part #	Description	Pkg
	MLA9704	1-1/2" ABS J-Hook Tube P-Trap Less Adapter	Box
	MLA9704B	1-1/2" ABS J-Hook Tube P-Trap Less Adapter	Bag
	MLP9704	1-1/2" PVC J-Hook Tube P-Trap Less Adapter	Box
	MLP9704BG	1-1/2" PVC J-Hook Tube P-Trap With ABS Adapter	Bag
	MLP9704NWBG	1-1/2" PVC J-Hook Tube P-Trap, No Wing Nut	Bag

Warranty

See warranty information for more details.

All dimensions listed are nominal. MAINLINE® reserves the right to make product and material changes at any time without notice.



Contact your sales representative for more information or visit our website at mainlinecollection.com



Lead Free* Lavatory Connector - 3/8" Comp. x 1/2" FIP



Product Specifications

FEATURES

- Temperature: 200° Fahrenheit Maximum Working Temperature
- Pressure: 125 PSI Maximum Burst Pressure
- Material: Stainless Steel Braid, Brass Nuts, Brass Barbs, Rubber Washers, Stainless Steel Ferrules

APPLICABLE STANDARDS/CODES

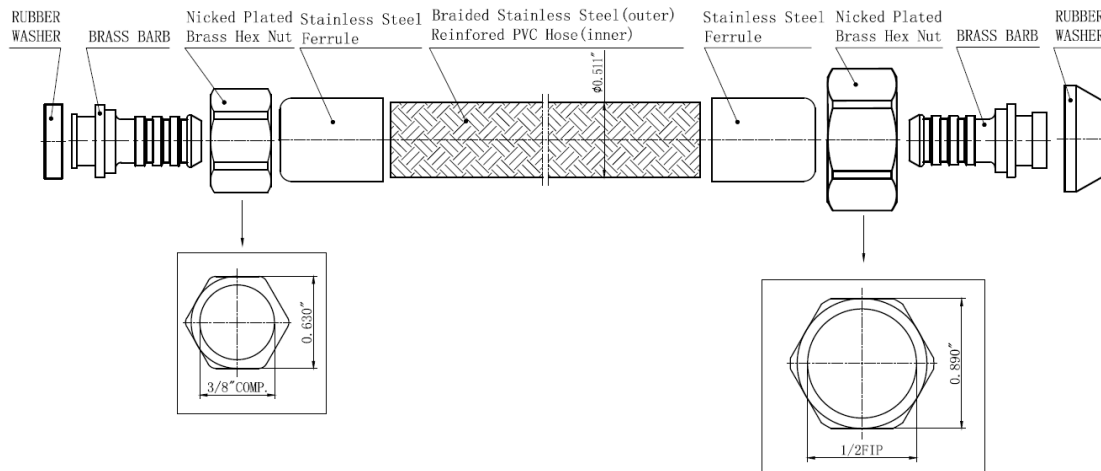
Specified model meets or exceeds the following:

- ASME A112.18.6/ CSA B125.6
- IAPMO/cUPC
- NSF/ANSI 372
- NSF/ANSI 61 – Sec. 9
- *≤ .25% Pb



742039

✓ To Submit	Part #	Description	Connector Length (in)
	MLB112AF	Lead Free* Lavatory Connector - 3/8 Comp. x 1/2 FIP	12"
	MLB116AF	Lead Free* Lavatory Connector - 3/8 Comp. x 1/2 FIP	16"
	MLB120AF	Lead Free* Lavatory Connector - 3/8 Comp. x 1/2 FIP	20"
	MLB130AF	Lead Free* Lavatory Connector - 3/8 Comp. x 1/2 FIP	30"



Warranty

See warranty information for more details.

All dimensions listed are nominal. MAINLINE® reserves the right to make product and material changes at any time without notice.

NSF/ANSI 372
NSF/ANSI 61-9



Contact your sales representative for more information or visit our website at mainlinecollection.com





Water Supply Angle Stop Valve

Product Specifications

FEATURES

- Easy Quarter Turn Operation
- Inlet - 1/2" Nom. Comp. (5/8" O.D.)
- Outlet - 3/8" O.D. Comp.
- Temperature: 40° to 140° Fahrenheit
- Pressure: 125 PSI Maximum
- Material: Machined One Piece Brass Body
- Brass Stem and Chrome Ball
- Chrome Plated

APPLICABLE STANDARDS/CODES

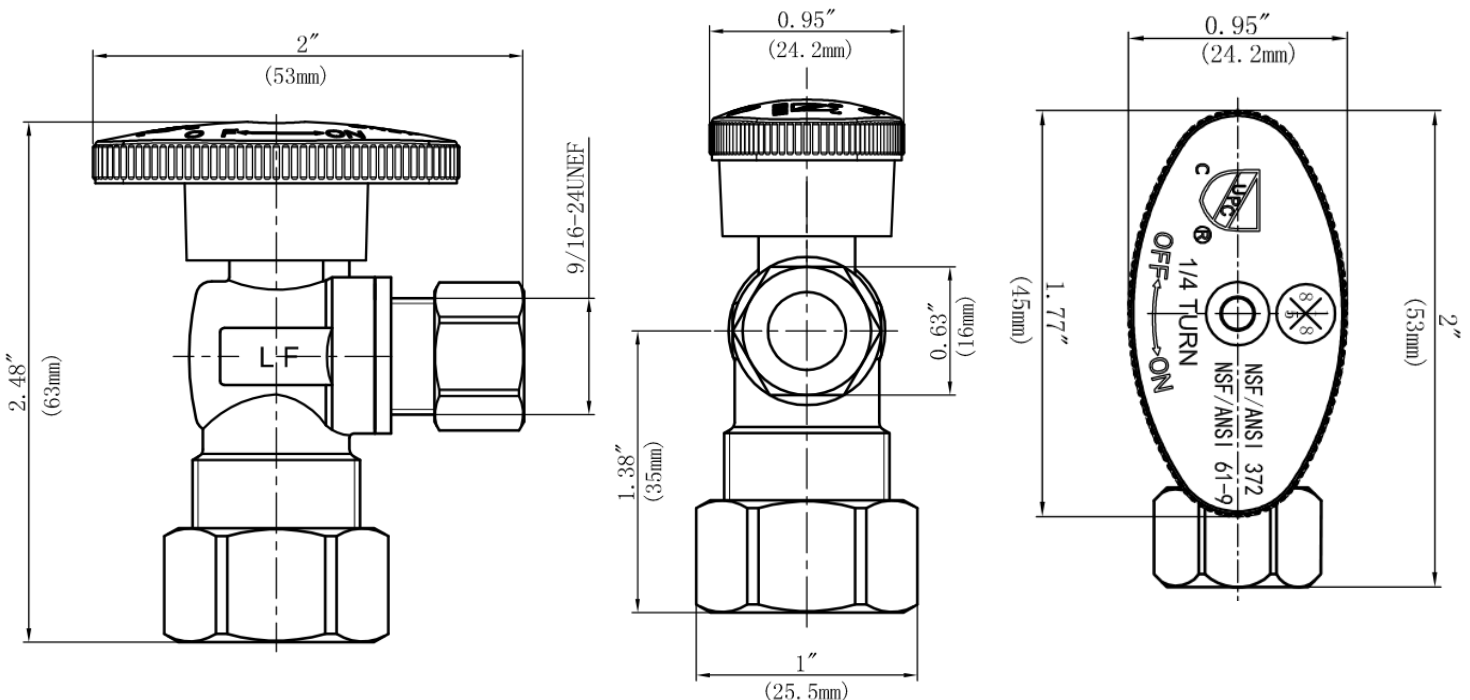
Specified model meets or exceeds the following:

- ASME A112.18.1/CSA B125.1
- IAPMO/cUPC
- NSF/ANSI 372
- NSF/ANSI 61 – Sec. 9
- *≤ .25% Pb



801577

MLQTCR19CX



Warranty

See warranty information for more details.

All dimensions listed are nominal. MAINLINE® reserves the right to make product and material changes at any time without notice.

NSF/ANSI 372
NSF/ANSI 61-9



Contact your sales representative for more information or visit our website at mainlinecollection.com





Sure Grip Low Pattern Flange

Product Specifications

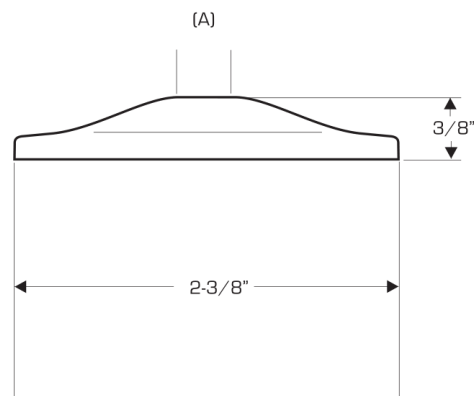
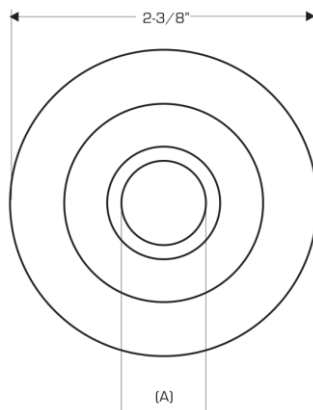
TECHNICAL SPECS

- Description: Sure Grip Low Pattern
- Type: Escutcheon
- Material: Metal
- Application: Universal
- Finish: Chrome Plated



1021788

✓ To Submit	Part #	Description	(A) Escutcheon Diameter - inches
	ML90101	Sure Grip Low Pattern Flange	3/8" IPS
	ML90102	Sure Grip Low Pattern Flange	1/2" IPS
	ML90111	Sure Grip Low Pattern Flange	3/4" IPS
	ML90112	Sure Grip Low Pattern Flange	1" IPS
	ML90103	Sure Grip Low Pattern Flange	1 1/2" IPS (3" OD)
	ML90122	Sure Grip Low Pattern Flange	1 1/2" IPS (3 1/2" OD)
	ML90104	Sure Grip Low Pattern Flange	2" IPS
	ML90105	Sure Grip Low Pattern Flange	5/8" OD
	ML90106	Sure Grip Low Pattern Flange	7/8" OD
	ML90107	Sure Grip Low Pattern Flange	1 1/8" OD



Warranty

See warranty information for more details.

All dimensions listed are nominal. MAINLINE® reserves the right to make product and material changes at any time without notice.



Contact your sales representative for more information or visit our website at mainlinecollection.com





Soft Trap Covers

Product Specifications

FEATURES

- Durable Fusion-Welded Seams
- 1/8" Pliable PVC
- Anti-Microbial Shell Finish Compliments Fixtures
- Velcro Fastening for Quick Installation
- Fits Schedule 40 Traps & Flexible Braided Supplies
- PVC Insulated Material Maximizes Protection While Meeting ADA & UPC Standards

INSTALLATION INSTRUCTIONS

- Measure and trim soft cover with scissors to size needed
- Place soft cover over p-trap or valve and supply
- Secure in position by joining Velcro fasteners
- For improved tamper resistance and tighter custom fit, insert snap-to-lock fasteners through pre-drilled holes and press together to lock.

ACCESSIBILITY REQUIREMENTS

- ADA 4.19.4, (ADA/ABA 606.5 rev.) and ICC/ANSI A117.1, (sec.606.6).
- Insulate all drainage piping including hot and cold water valve and supplies under lavatories to meet ADA (Americans with Disabilities Act) and UPC (International Building Code).



854501



✓ To Submit	Part #	Description	Case Quantity
	ML11125	Soft ADA One P-Trap Cover	10
	ML11126	Soft ADA One Angle Valve & Supply Cover	10
	ML11127	Soft ADA One P-Trap & One Angle Valve & Supply Cover	10
	ML11128	Soft ADA One P-Trap & Two Angle Valve & Supply Cover	10

Warranty

See warranty information for more details.

All dimensions listed are nominal. MAINLINE® reserves the right to make product and material changes at any time without notice.



Contact your sales representative for more information or visit our website at mainlinecollection.com



*
S-1



PRODUCT SPECIFICATIONS

Elkay Lustertone Classic Stainless Steel 19" x 18" x 5-1/2" Single Bowl Drop-in ADA Sink. Sink is manufactured from 18 gauge 304 Stainless Steel with a Lustrous Satin finish, Rear Center drain placement, and Bottom only pads.

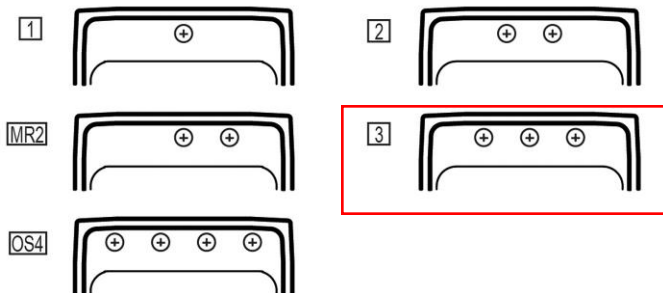
Installation Type:	Drop-in
Material:	304 Stainless Steel
Finish:	Lustrous Satin
Gauge:	18
Sound Deadening:	Bottom only pads
Number of Bowls:	1
Sink Dimensions:	19" x 18" x 5-1/2"
Bowl 1 Dimensions:	16" x 11-1/2" x 5-3/8"
Drain Size:	3-1/2" (89mm)
Drain Location:	Rear Center
Minimum Cabinet Size:	24"
Mounting Hardware:	Part # 64090012 included for countertops up to 3/4" (19mm) thick
Template Included:	No
Cutout Template #:	1000001260

Template is available for download at [elkay.com](#). CAD software will be required to open the template.

Cutout Dimensions for Drop-in Installation:
18-3/8" x 17-3/8" (467mm x 441mm) with 1-1/2" (38mm) corner radius

Hole Drilling Configurations:

1-1/2" (38mm) Diameter Faucet Holes on 4" (102mm) Centers



Shown with one-hole configuration. Other configurations available.

A Century of Tradition and Quality. For more than 100 years, Elkay has been making innovative products and providing exceptional customer care. We take pride in offering plumbing products that make life easier, inspire change and leave the world a better place.



Product Compliance: ADA & ICC A117.1
ASME A112.19.3/CSA B45.4

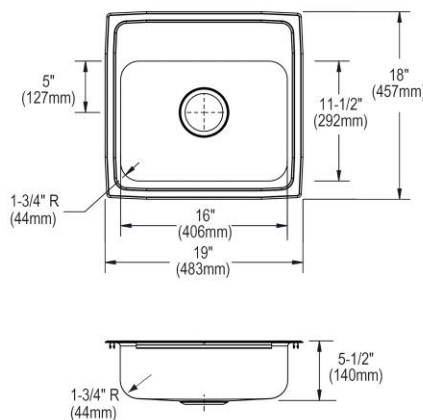


Sinks are listed by IAPMO[®] as meeting the applicable requirements of the Uniform Plumbing Code[®], International Plumbing Code[®], and National Plumbing Code of Canada.



Complies with ADA & ICC A117.1 accessibility requirements when installed according to the requirements outlined in these standards.

- [Clean and Care Manual \(PDF\)](#)
- [Installation Instructions \(PDF\) - 1000005236](#)
- [Warranty \(PDF\)](#)



PART: _____ QTY: _____
 PROJECT: _____
 CONTACT: _____
 DATE: _____
 NOTES: _____
 APPROVAL: _____

In keeping with our policy of continuing product improvement, Elkay reserves the right to change product specifications without notice. Please visit [elkay.com](#) for the most current version of Elkay product specification sheets. This specification describes an Elkay product with design, quality, and functional benefits to the user. When making a comparison of other producers' offerings, be certain these features are not overlooked.



140788



Buy it for looks. Buy it for life.®

There is more than 1 version of this model.
Page down to identify the version you have.

FAUCET DESCRIPTION

- Metal construction with various finishes identified by suffix
- Flexible supplies with 3/8" compression fittings
- Includes side spray with Duralock™ quick connect system

OPERATION

- Lever style handle
- Temperature controlled by 100° arc of handle travel
- Will operate with less than 5lbs. of force


FLOW

- Spout flow is limited to 1.5 gpm (5.7 L/min) at 60 psi max

CARTRIDGE

- 1255™ Duralast™ cartridge
- Nonmetallic/nonferrous and stainless steel material

STANDARDS

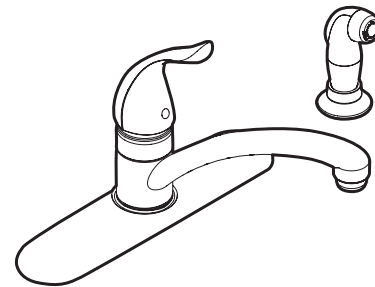
- Third party certified to IAPMO Green, ASME A112.18.1/CSA B125.1 and all applicable requirements referenced therein including ANSI/NSF 61/9 & 372
- Meets CalGreen and Georgia SB370 requirements
- Complies with California Proposition 65 and with the Federal Safe Drinking Water Act
- **ADA**  for lever handle

WARRANTY

- Lifetime limited warranty against leaks, drips and finish defects to the original homeowner
- 10 year limited warranty when used in a multifamily installation
- 5 year limited warranty when used in a commercial installation

Visit www.moen.com/support for complete details and limitations

Specifications



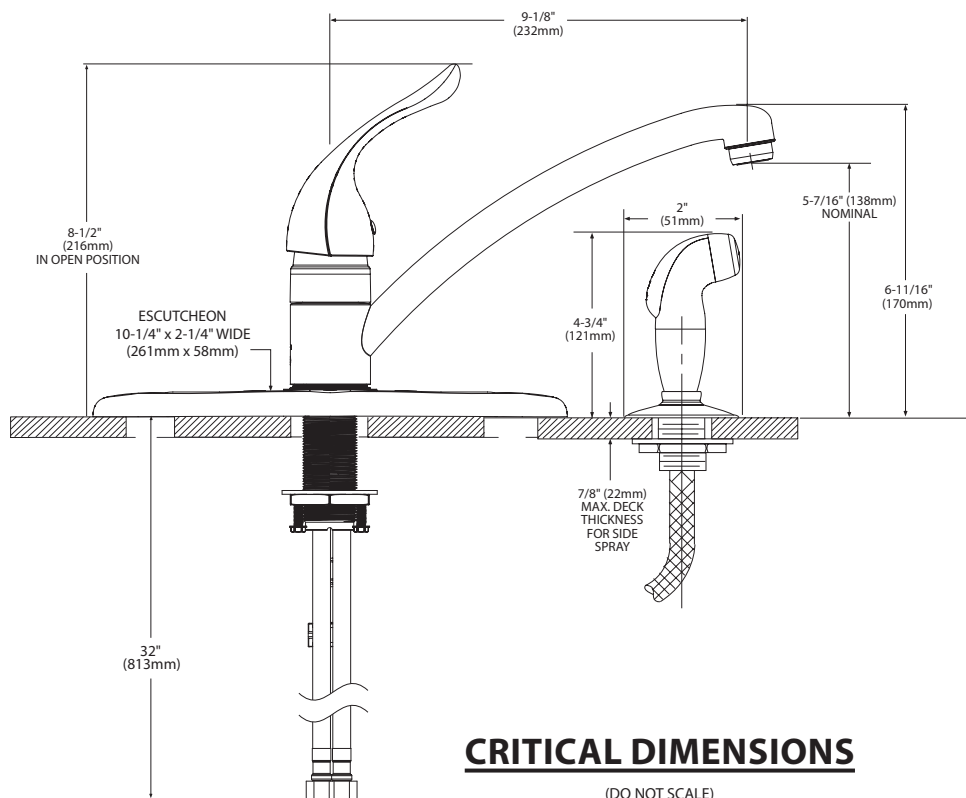
CHATEAU® Single-Handle Kitchen Faucet

Models: 7430 series with spray
7425 series less spray

Bulk Model: 67430 series with spray
67425 series less spray
(bulk packed 12 per carton)

NOTE: 7430 SERIES DESIGNED TO INSTALL THROUGH 4 HOLES 1-1/4" (32mm) MIN. DIA. AND 4" (102mm) ON CENTER.

7425 SERIES DESIGNED TO INSTALL THROUGH 3 HOLES 1-1/4" (32mm) MIN. DIA. AND 4" (102mm) ON CENTER.





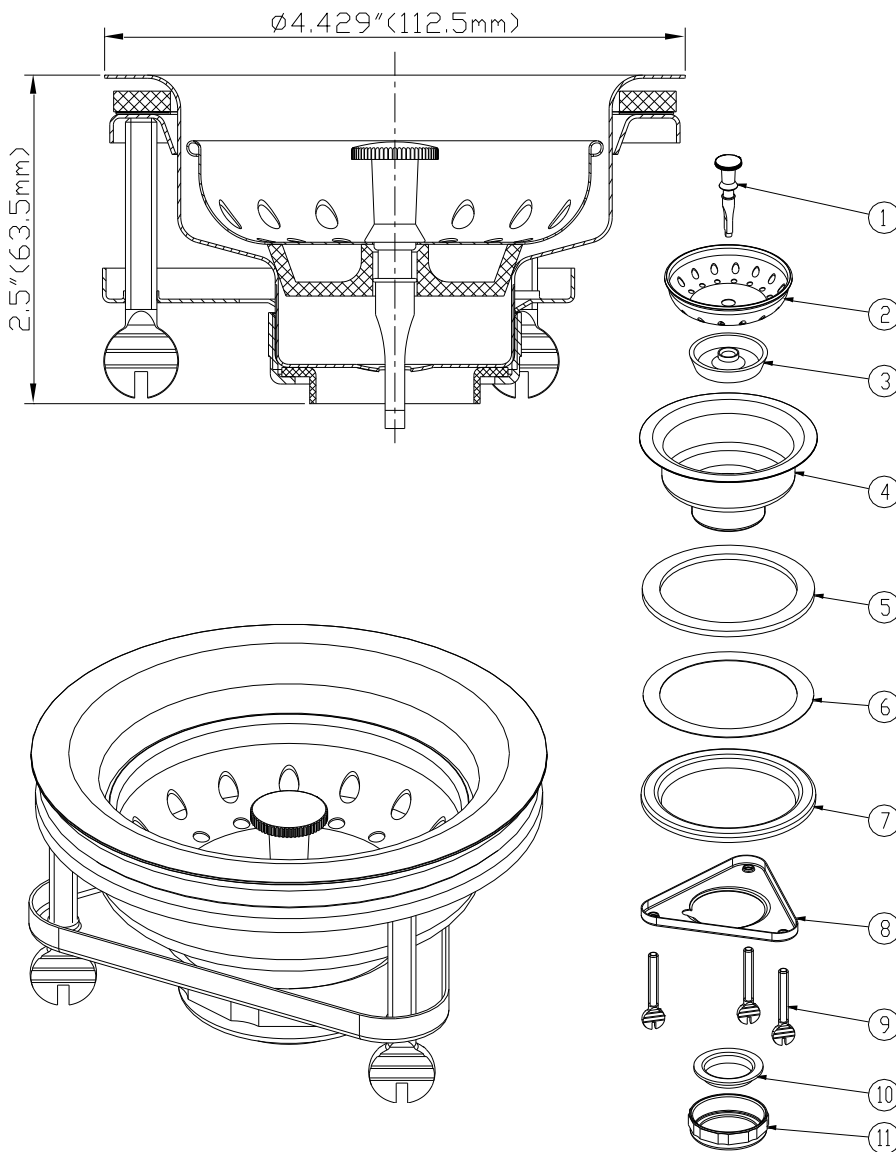
Basket Strainer With Thumb Screw Mount

Product Specifications

MAINLINE®

FEATURES

- Threaded Flange With Thumb Screw
- Stainless Steel Body & Basket
- Zinc Die Cast Tailpiece Nut


ML3BN

No.	Part Name	Material
1	Stick Post	ABS
2	Basket	Stainless Steel
3	Stopper	Rubber
4	Body	Stainless Steel
5	Washer	Rubber
6	Friction Washer	Paper
7	Press Plate	Plated Steel
8	Flange	Plated Steel
9	Thumb Screw	Plated Steel
10	Washer	PE
11	Tailpiece Nut	Zinc

Warranty

See warranty information for more details.

All dimensions listed are nominal. MAINLINE® reserves the right to make product and material changes at any time without notice.



Contact your sales representative for more information or visit our website at mainlinecollection.com



727870



J-Hook Tube P-Trap

Product Specifications

FEATURES

- 1-1/2" Poly Washers
- Includes 1-1/2" x 1-1/4" Reducing Washer
- NW model does not have wing nut



890592

✓ To Submit	Part #	Description	Pkg
	MLA9704	1-1/2" ABS J-Hook Tube P-Trap Less Adapter	Box
	MLA9704B	1-1/2" ABS J-Hook Tube P-Trap Less Adapter	Bag
	MLP9704	1-1/2" PVC J-Hook Tube P-Trap Less Adapter	Box
	MLP9704BG	1-1/2" PVC J-Hook Tube P-Trap With ABS Adapter	Bag
	MLP9704NWBG	1-1/2" PVC J-Hook Tube P-Trap, No Wing Nut	Bag

Warranty

See warranty information for more details.

All dimensions listed are nominal. MAINLINE® reserves the right to make product and material changes at any time without notice.



Contact your sales representative for more information or visit our website at mainlinecollection.com





Lead Free* Lavatory Connector - 3/8" Comp. x 1/2" FIP

Product Specifications

FEATURES

- Temperature: 200° Fahrenheit Maximum Working Temperature
- Pressure: 125 PSI Maximum Burst Pressure
- Material: Stainless Steel Braid, Brass Nuts, Brass Barbs, Rubber Washers, Stainless Steel Ferrules

APPLICABLE STANDARDS/CODES

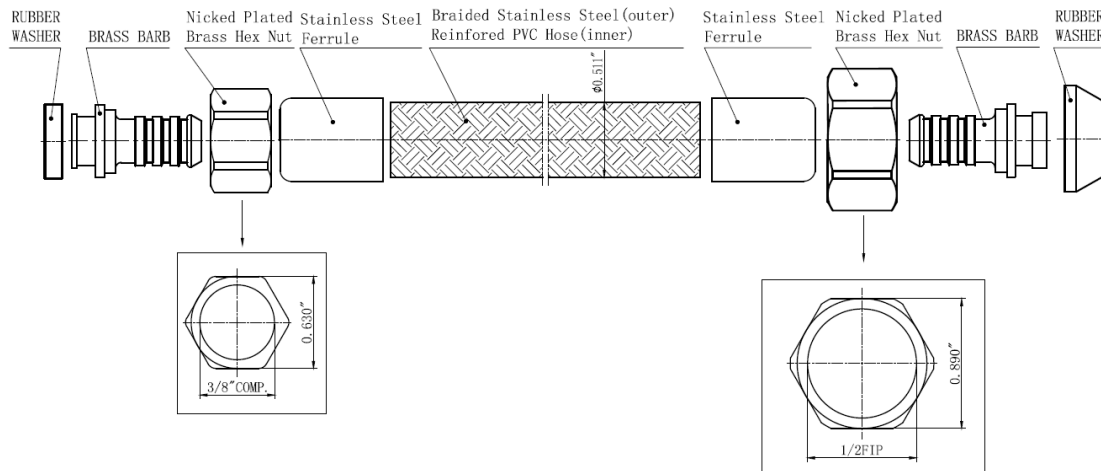
Specified model meets or exceeds the following:

- ASME A112.18.6/ CSA B125.6
- IAPMO/cUPC
- NSF/ANSI 372
- NSF/ANSI 61 – Sec. 9
- * \leq .25% Pb



742044

✓ To Submit	Part #	Description	Connector Length (in)
	MLB112AF	Lead Free* Lavatory Connector - 3/8 Comp. x 1/2 FIP	12"
	MLB116AF	Lead Free* Lavatory Connector - 3/8 Comp. x 1/2 FIP	16"
	MLB120AF	Lead Free* Lavatory Connector - 3/8 Comp. x 1/2 FIP	20"
	MLB130AF	Lead Free* Lavatory Connector - 3/8 Comp. x 1/2 FIP	30"



Warranty

See warranty information for more details.

All dimensions listed are nominal. MAINLINE® reserves the right to make product and material changes at any time without notice.

NSF/ANSI 372
NSF/ANSI 61-9



Contact your sales representative for more information or visit our website at mainlinecollection.com





Water Supply Angle Stop Valve

Product Specifications

FEATURES

- Easy Quarter Turn Operation
- Inlet - 1/2" Nom. Comp. (5/8" O.D.)
- Outlet - 3/8" O.D. Comp.
- Temperature: 40° to 140° Fahrenheit
- Pressure: 125 PSI Maximum
- Material: Machined One Piece Brass Body
- Brass Stem and Chrome Ball
- Chrome Plated

APPLICABLE STANDARDS/CODES

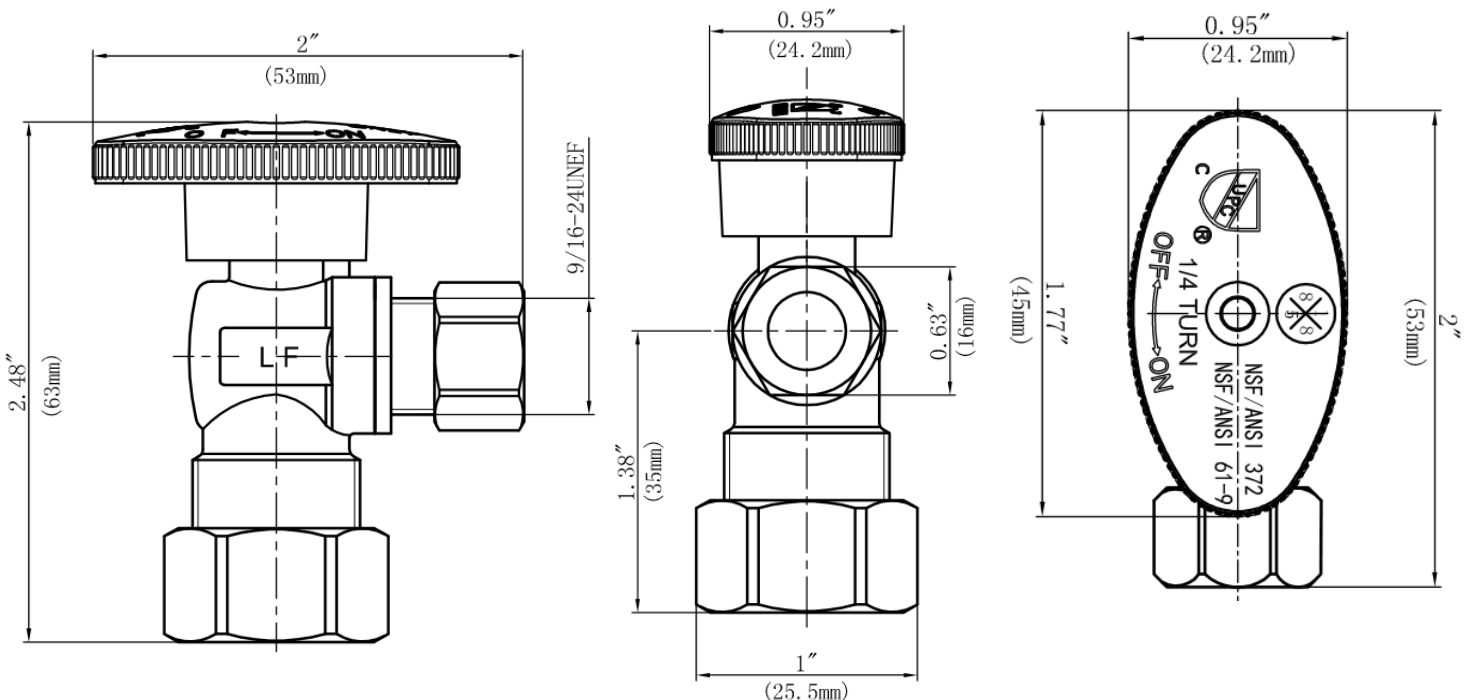
Specified model meets or exceeds the following:

- ASME A112.18.1/CSA B125.1
- IAPMO/cUPC
- NSF/ANSI 372
- NSF/ANSI 61 – Sec. 9
- *≤ .25% Pb



801577

MLQTCR19CX



Warranty

See warranty information for more details.

All dimensions listed are nominal. MAINLINE® reserves the right to make product and material changes at any time without notice.

NSF/ANSI 372
NSF/ANSI 61-9



Contact your sales representative for more information or visit our website at mainlinecollection.com





Sure Grip Low Pattern Flange

Product Specifications

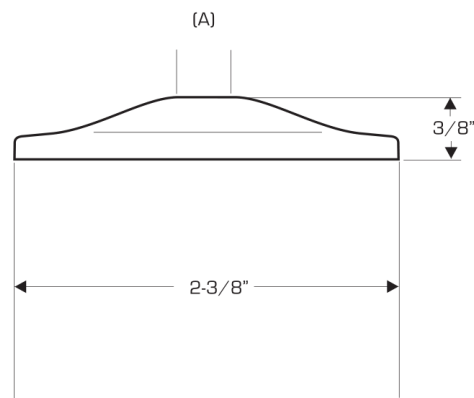
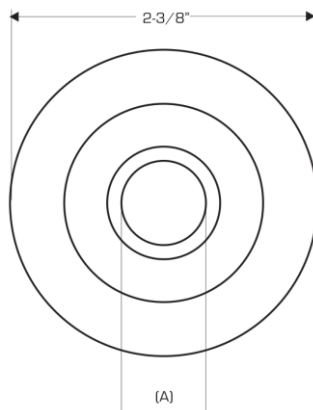


1021788

TECHNICAL SPECS

- Description: Sure Grip Low Pattern
- Type: Escutcheon
- Material: Metal
- Application: Universal
- Finish: Chrome Plated

✓ To Submit	Part #	Description	(A) Escutcheon Diameter - inches
	ML90101	Sure Grip Low Pattern Flange	3/8" IPS
	ML90102	Sure Grip Low Pattern Flange	1/2" IPS
	ML90111	Sure Grip Low Pattern Flange	3/4" IPS
	ML90112	Sure Grip Low Pattern Flange	1" IPS
	ML90103	Sure Grip Low Pattern Flange	1 1/2" IPS (3" OD)
	ML90122	Sure Grip Low Pattern Flange	1 1/2" IPS (3 1/2" OD)
	ML90104	Sure Grip Low Pattern Flange	2" IPS
	ML90105	Sure Grip Low Pattern Flange	5/8" OD
	ML90106	Sure Grip Low Pattern Flange	7/8" OD
	ML90107	Sure Grip Low Pattern Flange	1 1/8" OD



Warranty

See warranty information for more details.

All dimensions listed are nominal. MAINLINE® reserves the right to make product and material changes at any time without notice.



Contact your sales representative for more information or visit our website at mainlinecollection.com



*
S-2



PRODUCT SPECIFICATIONS

Elkay Stainless Steel 16-3/4" x 15-1/2" x 13", Single Bowl Wall Hung Handwash Sink Kit. Sink is manufactured from 20 gauge 304 Stainless Steel with a Buffed Satin finish, Center drain placement.

Material:	304 Stainless Steel
Finish:	Buffed Satin
Gauge:	20
Number of Bowls:	1
Sink Dimensions:	16-3/4" x 15-1/2" x 13"
Bowl 1 Dimensions:	12" x 9-1/4" x 6"
Drain Size:	2" (51mm)
Drain Location:	Center

Special Note: Side splashes



1419437

Included with Product: CHS1716 sink,
one LKB722C sensor faucet with AC plug-in / 4 AA batteries,
one LK723 thermostatic mixing valve,
one LK8 drain fitting,
one LK500 P-trap

▼ Ships in multiple boxes.

A Century of Tradition and Quality.
For more than 100 years, Elkay has been making innovative products and providing exceptional customer care. We take pride in offering plumbing products that make life easier, inspire change and leave the world a better place.



Product Compliance: ASME A112.19.3/CSA B45.4
Buy American Act
NSF 2

Faucet: ASME A112.18.1/CSA B125.1
CEC
NSF 372 (lead free)
NSF 61

Accessory: ASME A112.18.2/CSA B125.2



[Clean and Care Manual \(PDF\)](#)
[Installation Instructions \(PDF\) - 74180184](#)
[Installation Instructions \(PDF\) - 98517C](#)
[Installation Instructions \(PDF\) - LK723 Instruction Manual](#)
[Installation Instructions \(PDF\) - 100005235_drain](#)
[Warranty \(PDF\)](#)

PART: _____ QTY: _____

PROJECT: _____

CONTACT: _____



DATE: _____

NOTES: _____

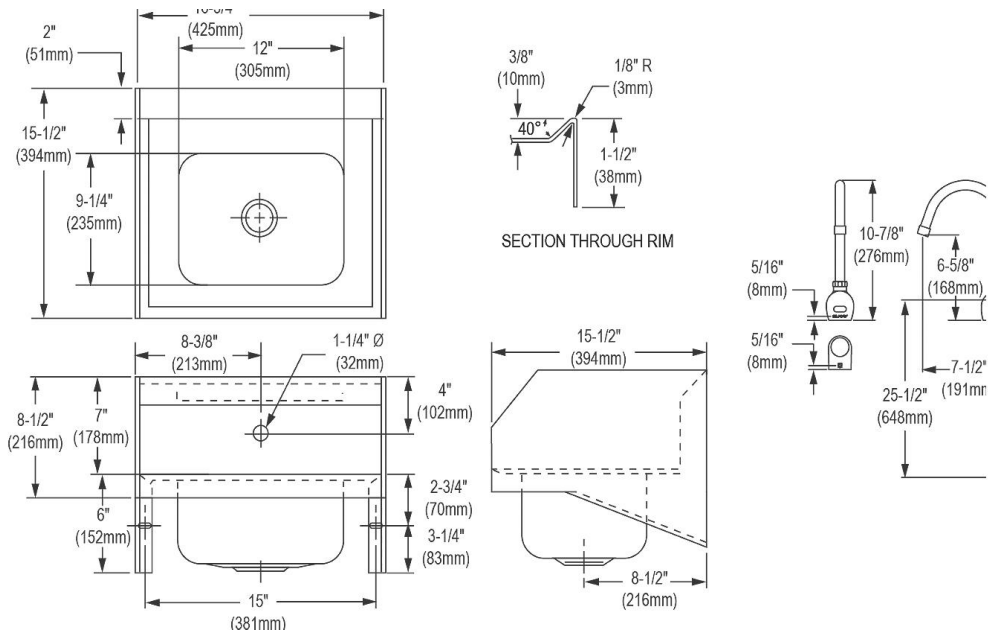
APPROVAL: _____

In keeping with our policy of continuing product improvement, Elkay reserves the right to change product specifications without notice. Please visit elkay.com for the most current version of Elkay product specification sheets. This specification describes an Elkay product with design, quality, and functional benefits to the user. When making a comparison of other producers' offerings, be certain these features are not overlooked.



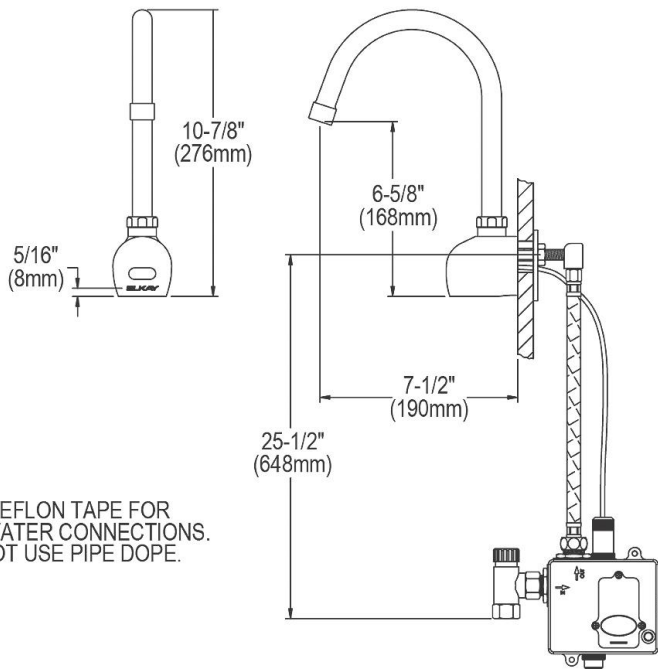
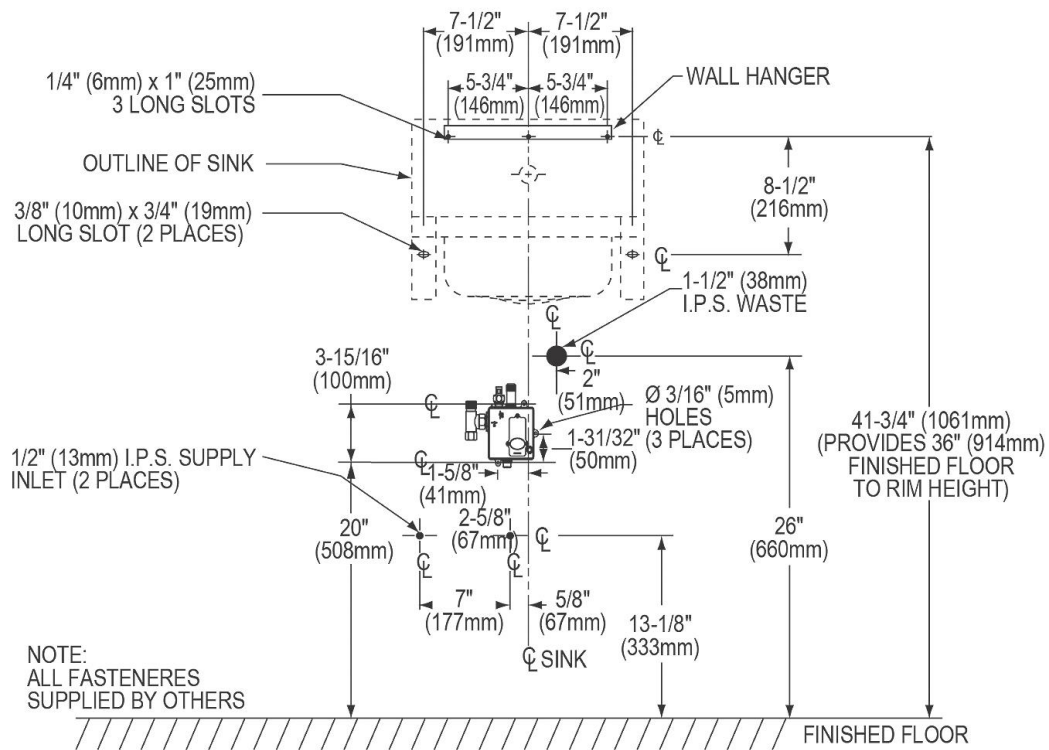
Included Accessories		
LK500	Elkay P-Trap with Cleanout Plug Spec Sheet (PDF)	
LK8	Elkay 2" Drain Fitting Type 304 Stainless Steel Body Grid Strainer and Tailpiece Spec Sheet (PDF)	
LKB722C	Elkay Commercial Electronic Sensor Scrub/Handwash Battery Powered Wall Mount Faucet Chrome Spec Sheet (PDF)	

1419437



In keeping with our policy of continuing product improvement, Elkay reserves the right to change product specifications without notice. Please visit elkay.com for the most current version of Elkay product specification sheets. This specification describes an Elkay product with design, quality, and functional benefits to the user. When making a comparison of other producers' offerings, be certain these features are not overlooked.





1419437

In keeping with our policy of continuing product improvement, Elkay reserves the right to change product specifications without notice. Please visit elkay.com for the most current version of Elkay product specification sheets. This specification describes an Elkay product with design, quality, and functional benefits to the user. When making a comparison of other producers' offerings, be certain these features are not overlooked.





Lead Free* Lavatory Connector - 3/8" Comp. x 1/2" FIP

Product Specifications

FEATURES

- Temperature: 200° Fahrenheit Maximum Working Temperature
- Pressure: 125 PSI Maximum Burst Pressure
- Material: Stainless Steel Braid, Brass Nuts, Brass Barbs, Rubber Washers, Stainless Steel Ferrules

APPLICABLE STANDARDS/CODES

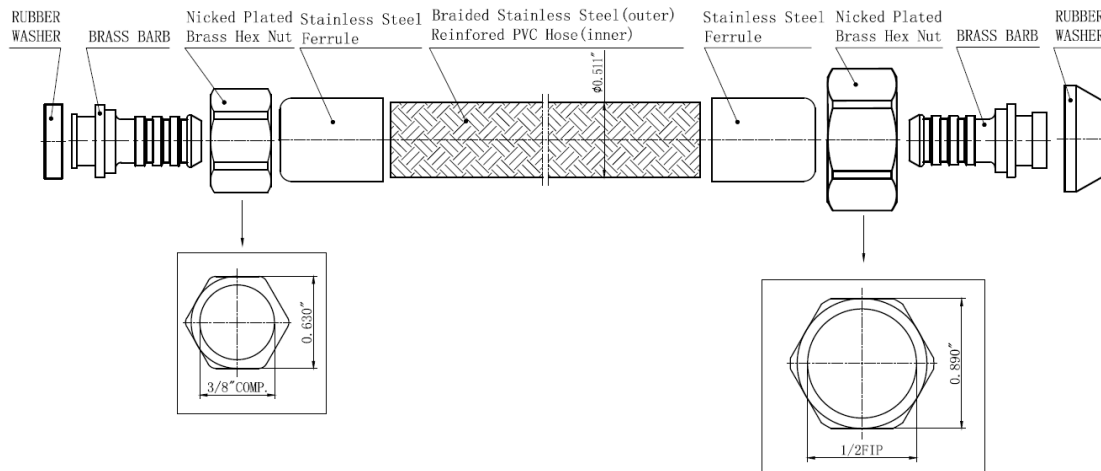
Specified model meets or exceeds the following:

- ASME A112.18.6/ CSA B125.6
- IAPMO/cUPC
- NSF/ANSI 372
- NSF/ANSI 61 – Sec. 9
- * \leq .25% Pb



742044

✓ To Submit	Part #	Description	Connector Length (in)
	MLB112AF	Lead Free* Lavatory Connector - 3/8 Comp. x 1/2 FIP	12"
	MLB116AF	Lead Free* Lavatory Connector - 3/8 Comp. x 1/2 FIP	16"
	MLB120AF	Lead Free* Lavatory Connector - 3/8 Comp. x 1/2 FIP	20"
	MLB130AF	Lead Free* Lavatory Connector - 3/8 Comp. x 1/2 FIP	30"



Warranty

See warranty information for more details.

All dimensions listed are nominal. MAINLINE® reserves the right to make product and material changes at any time without notice.

NSF/ANSI 372
NSF/ANSI 61-9



Contact your sales representative for more information or visit our website at mainlinecollection.com





Water Supply Angle Stop Valve

Product Specifications

FEATURES

- Easy Quarter Turn Operation
- Inlet - 1/2" Nom. Comp. (5/8" O.D.)
- Outlet - 3/8" O.D. Comp.
- Temperature: 40° to 140° Fahrenheit
- Pressure: 125 PSI Maximum
- Material: Machined One Piece Brass Body
- Brass Stem and Chrome Ball
- Chrome Plated

APPLICABLE STANDARDS/CODES

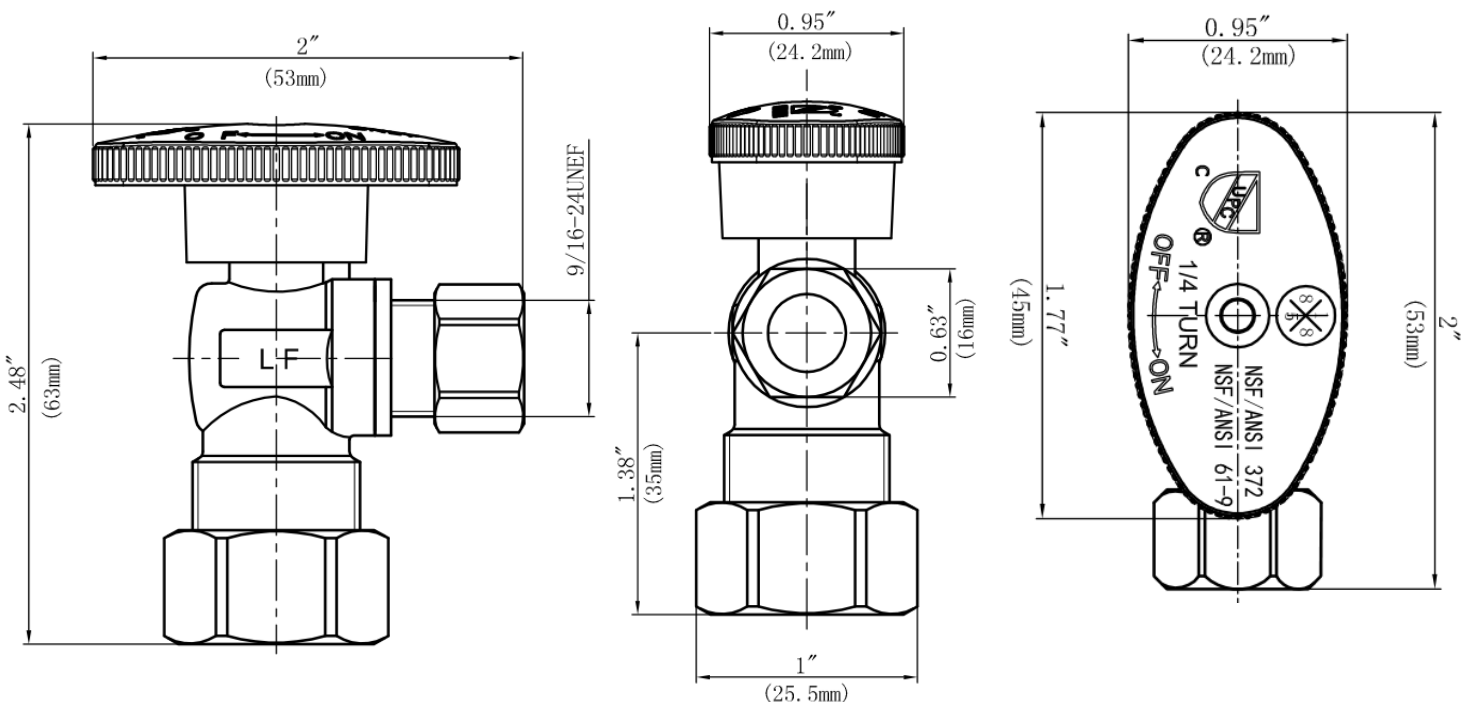
Specified model meets or exceeds the following:

- ASME A112.18.1/CSA B125.1
- IAPMO/cUPC
- NSF/ANSI 372
- NSF/ANSI 61 – Sec. 9
- *≤ .25% Pb



801577

MLQTCR19CX



Warranty

See warranty information for more details.

All dimensions listed are nominal. MAINLINE® reserves the right to make product and material changes at any time without notice.

NSF/ANSI 372
NSF/ANSI 61-9



Contact your sales representative for more information or visit our website at mainlinecollection.com





Sure Grip Low Pattern Flange

Product Specifications

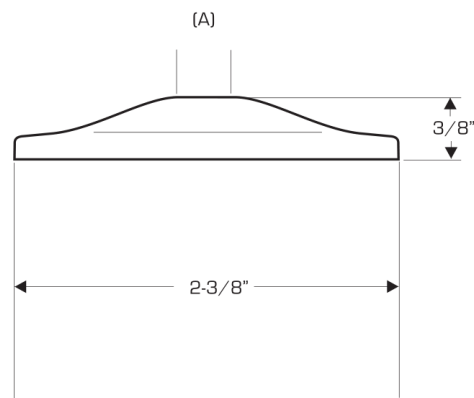
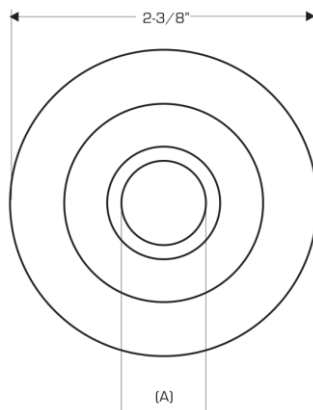
TECHNICAL SPECS

- Description: Sure Grip Low Pattern
- Type: Escutcheon
- Material: Metal
- Application: Universal
- Finish: Chrome Plated



1021788

✓ To Submit	Part #	Description	(A) Escutcheon Diameter - inches
	ML90101	Sure Grip Low Pattern Flange	3/8" IPS
	ML90102	Sure Grip Low Pattern Flange	1/2" IPS
	ML90111	Sure Grip Low Pattern Flange	3/4" IPS
	ML90112	Sure Grip Low Pattern Flange	1" IPS
	ML90103	Sure Grip Low Pattern Flange	1 1/2" IPS (3" OD)
	ML90122	Sure Grip Low Pattern Flange	1 1/2" IPS (3 1/2" OD)
	ML90104	Sure Grip Low Pattern Flange	2" IPS
	ML90105	Sure Grip Low Pattern Flange	5/8" OD
	ML90106	Sure Grip Low Pattern Flange	7/8" OD
	ML90107	Sure Grip Low Pattern Flange	1 1/8" OD



Warranty

See warranty information for more details.

All dimensions listed are nominal. MAINLINE® reserves the right to make product and material changes at any time without notice.



Contact your sales representative for more information or visit our website at mainlinecollection.com



*
HS-1



PRODUCT SPECIFICATIONS

Elkay Stainless Steel 16-3/4" x 15-1/2" x 13", Single Bowl Wall Hung Handwash Sink Kit. Sink is manufactured from 20 gauge 304 Stainless Steel with a Buffed Satin finish, Center drain placement.

Material:	304 Stainless Steel
Finish:	Buffed Satin
Gauge:	20
Number of Bowls:	1
Sink Dimensions:	16-3/4" x 15-1/2" x 13"
Bowl 1 Dimensions:	12" x 9-1/4" x 6"
Drain Size:	2" (51mm)
Drain Location:	Center



349976

Included with Product: CHS17162 sink,
one LK940GN04L2H faucet,
one LK8 drain fitting,
and one LK500 P-trap

A Century of Tradition and Quality.
For more than 100 years, Elkay has been making innovative products and providing exceptional customer care. We take pride in offering plumbing products that make life easier, inspire change and leave the world a better place.

Product Compliance: ASME A112.19.3/CSA B45.4
NSF 2
Faucet: ASME A112.18.1/CSA B125.1
CEC
NSF 372 (lead free)
NSF 61
Accessory: ASME A112.18.2/CSA B125.2






[Clean and Care Manual \(PDF\)](#)
[Installation Instructions \(PDF\) - 74180184](#)
[Installation Instructions \(PDF\) - A55483](#)
[Installation Instructions \(PDF\) - 1000005235](#) [drain](#)
[Warranty \(PDF\)](#)

PART: _____ QTY: _____
PROJECT: _____
CONTACT: _____
DATE: _____
NOTES: _____
APPROVAL: _____

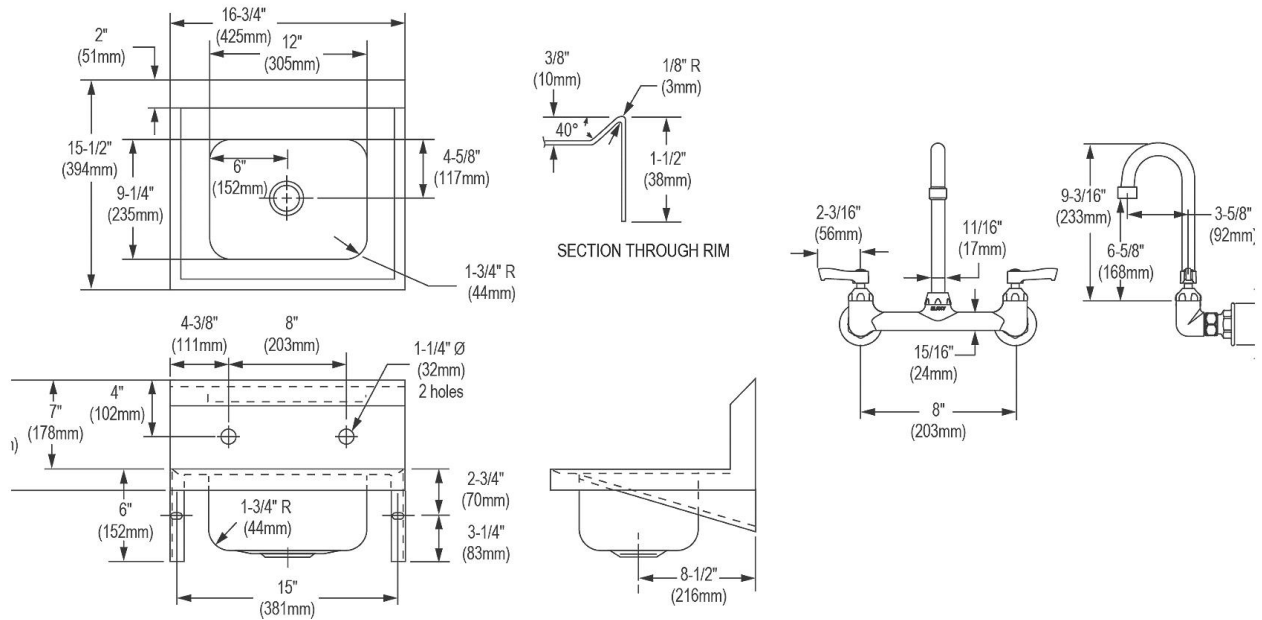
In keeping with our policy of continuing product improvement, Elkay reserves the right to change product specifications without notice. Please visit elkay.com for the most current version of Elkay product specification sheets. This specification describes an Elkay product with design, quality, and functional benefits to the user. When making a comparison of other producers' offerings, be certain these features are not overlooked.



Included Accessories

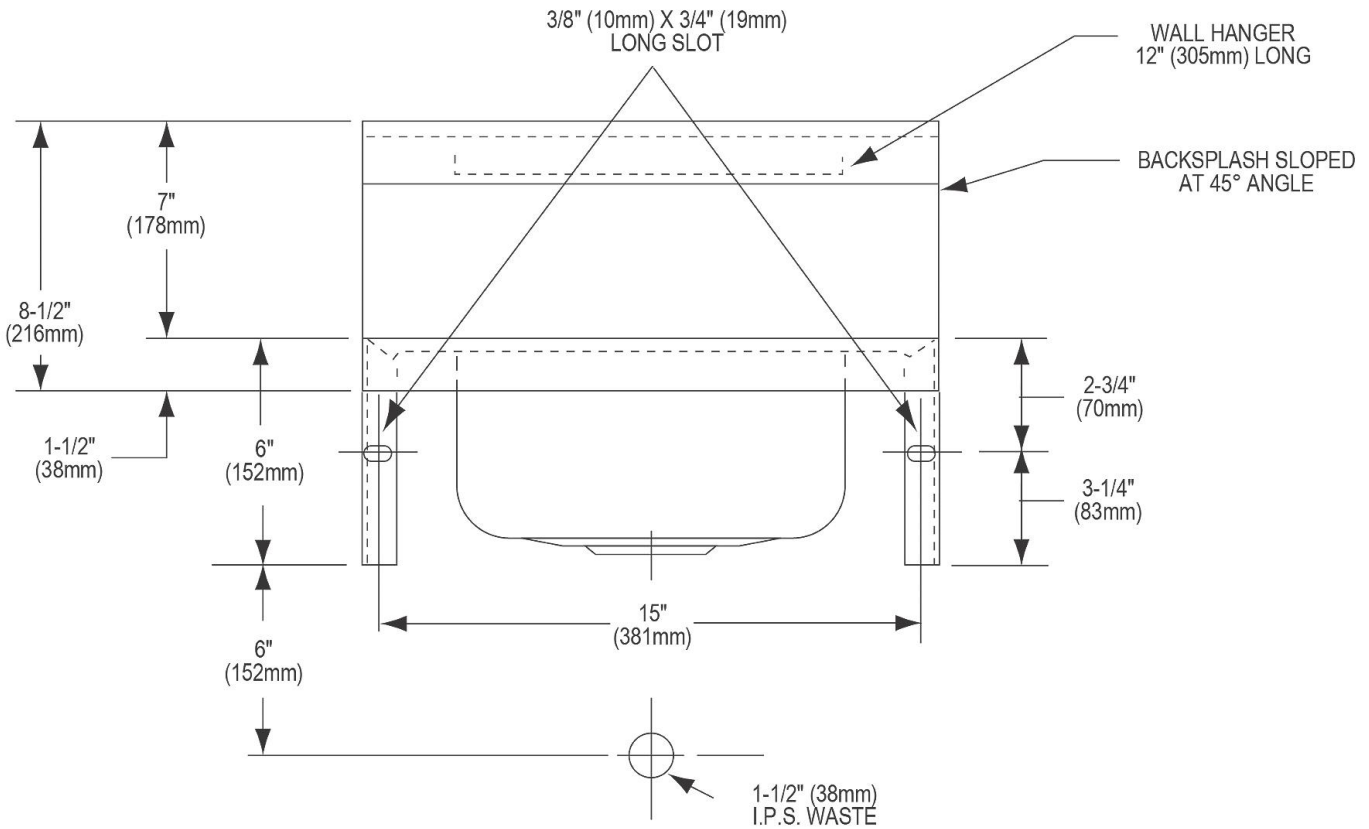
<p>LK500</p>	<p>Elkay P-Trap with Cleanout Plug Spec Sheet (PDF)</p>	
<p>LK8</p>	<p>Elkay 2" Drain Fitting Type 304 Stainless Steel Body Grid Strainer and Tailpiece Spec Sheet (PDF)</p>	
<p>LK940GN04L2H</p>	<p>Elkay Scrub/Handwash 8" Centerset Wall Mount Faucet with 4" Gooseneck Spout 2" Lever Handles 1/2" Offset Inlets Spec Sheet (PDF)</p>	

349976



In keeping with our policy of continuing product improvement, Elkay reserves the right to change product specifications without notice. Please visit elkay.com for the most current version of Elkay product specification sheets. This specification describes an Elkay product with design, quality, and functional benefits to the user. When making a comparison of other producers' offerings, be certain these features are not overlooked.





349976

In keeping with our policy of continuing product improvement, Elkay reserves the right to change product specifications without notice. Please visit elkay.com for the most current version of Elkay product specification sheets. This specification describes an Elkay product with design, quality, and functional benefits to the user. When making a comparison of other producers' offerings, be certain these features are not overlooked.





Lead Free* Lavatory Connector - 3/8" Comp. x 1/2" FIP

Product Specifications

FEATURES

- Temperature: 200° Fahrenheit Maximum Working Temperature
- Pressure: 125 PSI Maximum Burst Pressure
- Material: Stainless Steel Braid, Brass Nuts, Brass Barbs, Rubber Washers, Stainless Steel Ferrules

APPLICABLE STANDARDS/CODES

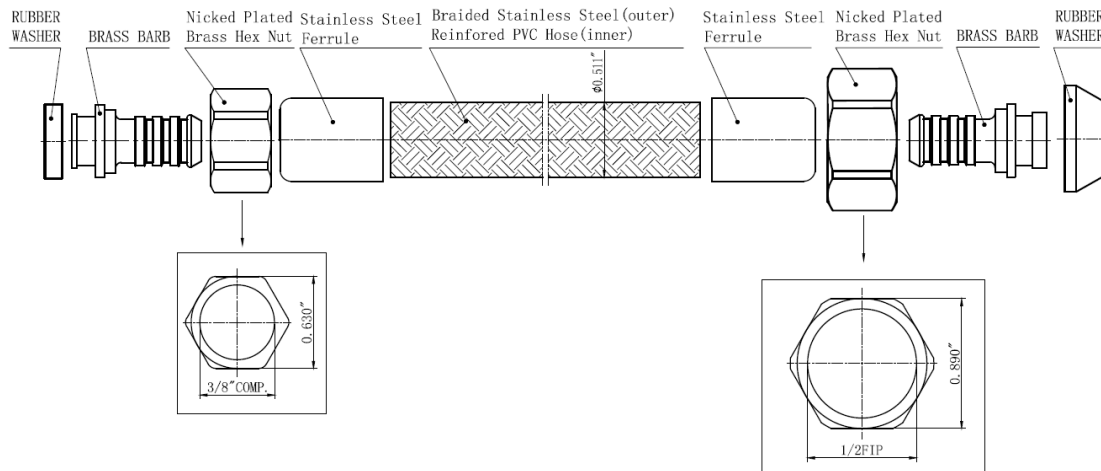
Specified model meets or exceeds the following:

- ASME A112.18.6/ CSA B125.6
- IAPMO/cUPC
- NSF/ANSI 372
- NSF/ANSI 61 – Sec. 9
- *≤ .25% Pb



742044

✓ To Submit	Part #	Description	Connector Length (in)
	MLB112AF	Lead Free* Lavatory Connector - 3/8 Comp. x 1/2 FIP	12"
	MLB116AF	Lead Free* Lavatory Connector - 3/8 Comp. x 1/2 FIP	16"
	MLB120AF	Lead Free* Lavatory Connector - 3/8 Comp. x 1/2 FIP	20"
	MLB130AF	Lead Free* Lavatory Connector - 3/8 Comp. x 1/2 FIP	30"



Warranty

See warranty information for more details.

All dimensions listed are nominal. MAINLINE® reserves the right to make product and material changes at any time without notice.

NSF/ANSI 372
NSF/ANSI 61-9



Contact your sales representative for more information or visit our website at mainlinecollection.com





Water Supply Angle Stop Valve

Product Specifications

FEATURES

- Easy Quarter Turn Operation
- Inlet - 1/2" Nom. Comp. (5/8" O.D.)
- Outlet - 3/8" O.D. Comp.
- Temperature: 40° to 140° Fahrenheit
- Pressure: 125 PSI Maximum
- Material: Machined One Piece Brass Body
- Brass Stem and Chrome Ball
- Chrome Plated

APPLICABLE STANDARDS/CODES

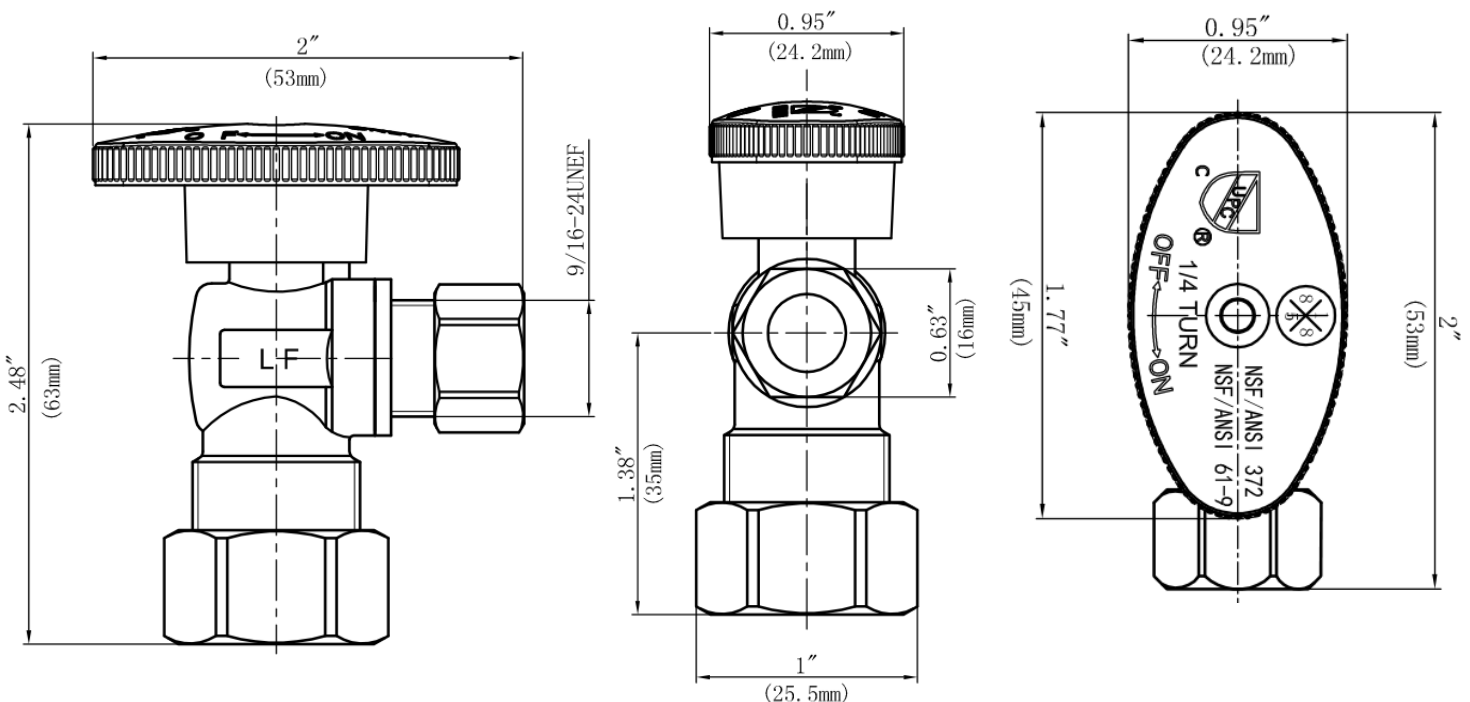
Specified model meets or exceeds the following:

- ASME A112.18.1/CSA B125.1
- IAPMO/cUPC
- NSF/ANSI 372
- NSF/ANSI 61 – Sec. 9
- *≤ .25% Pb



801577

MLQTCR19CX



Warranty

See warranty information for more details.

All dimensions listed are nominal. MAINLINE® reserves the right to make product and material changes at any time without notice.

NSF/ANSI 372
NSF/ANSI 61-9



Contact your sales representative for more information or visit our website at mainlinecollection.com





Sure Grip Low Pattern Flange

Product Specifications

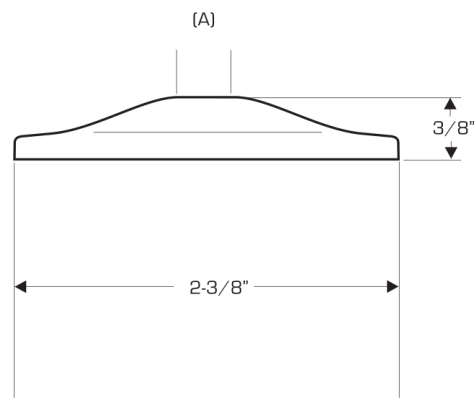
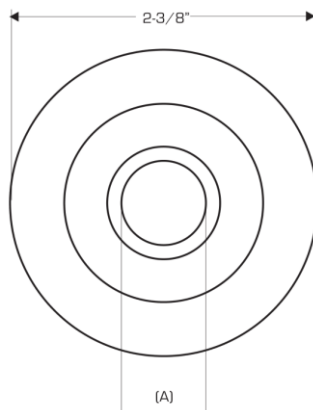
TECHNICAL SPECS

- Description: Sure Grip Low Pattern
- Type: Escutcheon
- Material: Metal
- Application: Universal
- Finish: Chrome Plated



1021788

✓ To Submit	Part #	Description	(A) Escutcheon Diameter - inches
	ML90101	Sure Grip Low Pattern Flange	3/8" IPS
	ML90102	Sure Grip Low Pattern Flange	1/2" IPS
	ML90111	Sure Grip Low Pattern Flange	3/4" IPS
	ML90112	Sure Grip Low Pattern Flange	1" IPS
	ML90103	Sure Grip Low Pattern Flange	1 1/2" IPS (3" OD)
	ML90122	Sure Grip Low Pattern Flange	1 1/2" IPS (3 1/2" OD)
	ML90104	Sure Grip Low Pattern Flange	2" IPS
	ML90105	Sure Grip Low Pattern Flange	5/8" OD
	ML90106	Sure Grip Low Pattern Flange	7/8" OD
	ML90107	Sure Grip Low Pattern Flange	1 1/8" OD



Warranty

See warranty information for more details.

All dimensions listed are nominal. MAINLINE® reserves the right to make product and material changes at any time without notice.



Contact your sales representative for more information or visit our website at mainlinecollection.com



*

WH-1



Premium Condensing
Tankless Gas Water Heater

NPE-2 Series Tankless Water Heaters Specification Sheet

1281322

- Certified design according to the latest **ANSI Z21.10.3 - CSA 4.3** standards for both indoor and outdoor installations (with optional Outdoor Vent Kit)
- Compatible with **1/2"** gas pipe up to **24 ft*** equivalent length (*see Installation Manual for additional information)
- Compatible with **2"** PVC vent up to **75 ft**** and **3"** Vent up to 150 ft** (**with no elbows)
- Designed for use in **Residential and Commercial** applications (see below for available models and warranty terms)
- Gas Input Range

NPE-150S2 - 120,000 to 18,000 BTU/h
 NPE-180A2/S2 - 150,000 to 10,000 BTU/h
 NPE-210A2/S2 - ~~180,000 to 12,000 BTU/h~~
 NPE-240A2/S2 - 199,900 to 13,300 BTU/h

- Hot Water Flow Rate Capacity (*based on 35°F temperature rise)
 NPE-150S2 - 6.8 GPM
 NPE-180A2/S2 - 8.4 GPM
 NPE-210A2/S2 - 10.1 GPM
 NPE-240A2/S2 - 11.2 GPM

- TDR (Turndown Ratio) up to **15:1**
- Dual Primary and Secondary Stainless Steel Heat Exchangers** for optimum efficiency and durability
- Built-In Advanced Multi-Line Control Panel with Setup Wizard** allows adjustment of temperature settings and displays of operating status and error codes

- ComfortFlow⁺ Technology** - NPE-A2 models come with built-in 0.5 gallon Buffer Tank and Recirculation Pump to provide maximum hot water comfort (NaviCirc Crossover Valve optional)

- INTELLIGENT Preheating** - recognizes hot water usage patterns to intelligently provide hot water to fixtures when needed

- Temperature Options** - available temperature settings for Residential applications range from **97°F** p to **140°F** with high-temperature Commercial mode capable of up to **185°F**

- Ready-Link Cascade Compatible** for up to 32 units for increased hot water production

- Common Vent Compatible** - allows for cascade systems to use a single exhaust and/or intake pipe for up to **12 units** with the use of the Common Vent Backflow Damper Collar Kit (#30014367A)

- Compatible with **Navilink Wi-Fi Control** (#PBCM-AS-001)

- Freeze Protection** - maintains normal operation in cold weather conditions when the unit is installed **INDOORS** and connected to power. For **OUTDOOR** installations: the ambient temperature at the installation location must be above 32°F (0°C) and below 125°F (52°C)

Note Refer to the Installation Manual for additional Freeze Protection guidelines

- Uniform Energy Factor** (listed models for use with Natural Gas and Propane)

NPE-150S2 - 0.93 UEF
 NPE-180A2/210A2/240A2 - 0.95 UEF
 NPE-180S2/210S2/240S2 - 0.96 UEF

- Compatible for use with **Natural Gas (NG)** and **Propane (LP)** Gas*** (***) requires installation of included Gas Conversion Kit by a qualified gas servicer)

- Approved for installations on **Manufactured Homes**

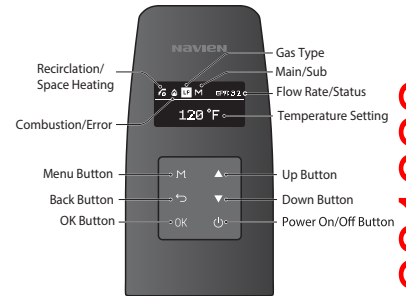
- Certified by **CSA Group, NSF 5 and 372 Low Lead, AHRI Certified, SCAQMD** (Rule 1146.2 Type 1 - Complies with 14 ng/J or 20 ppm NOx @ 3% O2)

- Limited Warranty - 15-Year Heat Exchanger and 5-Year Parts (Residential)******
8-Year Heat Exchanger and 5-Year Parts (Commercial)****
 (**** full details of warranty terms available in the Navien manuals or website)

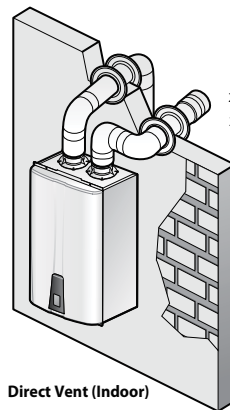
- Optional Accessories** are available (see below)



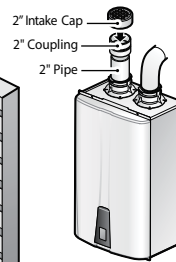
Certified Design Compatible with
2" PVC and 1/2" Gas Pipe



Multi-Line Control Panel with Diagnostics



Direct Vent (Indoor)



Non-Direct Vent (Indoor)

Indoor and Outdoor Venting Options



Non-Direct Vent (Outdoor)



* NPE-150S2 Excluded



Job Name: _____

Location: _____



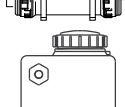
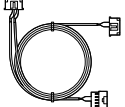
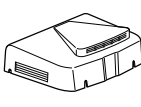
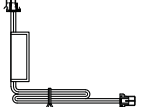
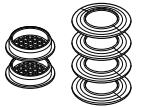
Engineer: _____

Wholesaler: _____

Contractor: _____

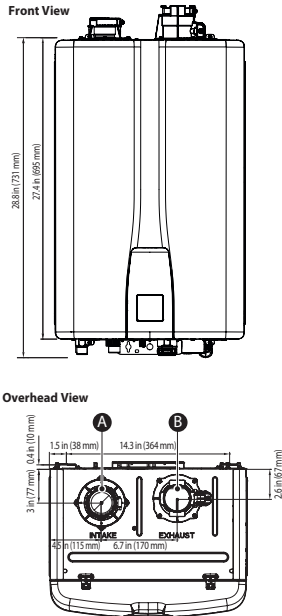
Model No.: _____

Submitted to: _____

						
Remote Controller (30022717B)	Plumb Easy Valve Set (3/4") (30009323A - Lead Free) (30025812A - for Pipe Cover)	Condensate Neutralizer (GXXX001322 - Single Unit) (GXXX001324 - Up to 6 Units) (GXXX001325 - Up to 16 Units)	Ready-Link Communication Cable (GXXX000546)	NPE-2 Outdoor Vent Kit (30025801A)	External Pump Wire (GXXX001319)	3" Vent Termination Caps and Wall Flanges (GXXX3873B)

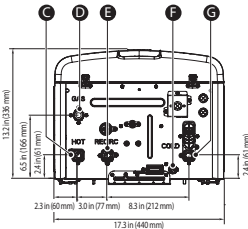


Premium Condensing
 Tankless Gas Water Heater

 NPE-2 Series Tankless Water Heaters
 Specification Sheet


Supply Connections

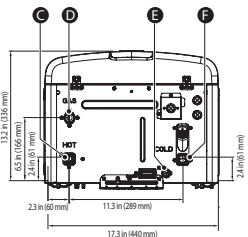
Description	Diameter
A Air Intake	2 in
B Exhaust Gas Vent	2 in
C Hot Water Outlet	3/4 in
D Gas Inlet	3/4 in
E Recirculation Inlet	3/4 in
F Condensate Outlet	1/2 in
G Cold Water Inlet	3/4 in



NPE-180A2 / 210A2 / 240A2

Supply Connections

Description	Diameter
A Air Intake	2 in
B Exhaust Gas Vent	2 in
C Hot Water Outlet	3/4 in
D Gas Inlet	3/4 in
E Condensate Outlet	1/2 in
F Cold Water Inlet	3/4 in



NPE-150S2 / 180S2 / 210S2 / 240S2

Item	NPE-150S2*	NPE-180A2	NPE-180S2	NPE-210A2	NPE-210S2	NPE-240A2	NPE-240S2
Heat Capacity (Input)	Natural Gas, Propane Gas 18,000-120,000 BTU/H	10,000-150,000 BTU/H		12,000-180,000 BTU/H		13,300-199,900 BTU/H	
Uniform Energy Factor	UEF (for NG & LP)	0.93	0.95	0.96	0.95	0.96	0.95
Flow Rate (DHW)	35 °F (19 °C) Temp Rise	6.8 GPM (25.8 L/m)	8.4 GPM (32 L/m)		10.1 GPM (38 L/m)		11.2 GPM (42 L/m)
	45 °F (25 °C) Temp Rise	5.3 GPM (20 L/m)	6.5 GPM (25 L/m)		7.8 GPM (30 L/m)		8.7 GPM (33 L/m)
	67 °F (36 °C) Temp Rise	3.4 GPM (13 L/m)	4.3 GPM (16 L/m)	4.4 GPM (17 L/m)	5.1 GPM (19 L/m)	5.3 GPM (20 L/m)	5.6 GPM (21 L/m)
Dimensions	17.3 in (W) x 27.4 in (H) x 13.2 in (D)						
Weight	62 lbs (28 kg)	73 lbs (33 kg)	68 lbs (31 kg)	77 lbs (35 kg)	73 lbs (33 kg)	77 lbs (35 kg)	73 lbs (33 kg)
Installation Type	Indoor or Outdoor Wall-Hung						
Venting Type	Forced Draft Direct Vent						
Ignition	Electronic Ignition						
Water Pressure	15-150 PSI						
Natural Gas Supply Pressure (from source)	3.5 in WC-10.5 in WC						
Propane Gas Supply Pressure (from source)	8 in WC-13 in WC						
Natural Gas Manifold Pressure (min-max)	-0.04 in WC - -0.40 in WC	-0.03 in WC - -0.55 in WC		-0.03 in WC - -0.76 in WC		-0.03 in WC - -0.96 in WC	
Propane Gas Manifold Pressure (min-max)	-0.03 in WC - -0.40 in WC	-0.02 in WC - -0.55 in WC		-0.02 in WC - -0.76 in WC		-0.02 in WC - -0.96 in WC	
Minimum Flow Rate	0.5 GPM (1.9 L/m), < 0.01 GPM (0.04 L/m) option for "A2" models**						
Connection Sizes	Cold Water Inlet	3/4 in NPT					
	Hot Water Outlet	3/4 in NPT					
	Gas Inlet	3/4 in NPT					
Power Supply	Main Supply	120 V AC, 60 Hz					
	Maximum Power Consumption	200 W (max 2 A), 350 W (max 4 A) with external pump connected					
Materials	Casing	Cold Rolled Carbon Steel					
	Heat Exchangers	Primary Heat Exchanger: Stainless Steel Secondary Heat Exchanger: Stainless Steel					
Venting	Exhaust	2 in or 3 in PVC, CPVC, Approved Polypropylene and stainless steel 2 in or 3 in Special Gas Vent Type BH (Class II, A/B/C)					
	Intake	2 in or 3 in PVC, CPVC, Approved Polypropylene and stainless steel 2 in or 3 in Special Gas Vent Type BH (Class II, A/B/C)					
	Vent Clearances	0 in to combustibles					
High Elevation	10,100 feet for both NG or LP gas. Please refer to Installation Manual for additional details and instructions.						
Safety Devices	Flame Rod, APS, Ignition Operation Detector, Water Temperature High Limit Switch, Exhaust Temperature High Limit Sensor, Power Surge Fuse, Burner High Limit Fuse, Vent Installation Detector (VID)						

*NPE-150S2 model not certified by EnergyStar

** Available for "A2" models configured in an optional ComfortFlow recirculation mode. Energy consumption will increase when the system is configured for recirculation.

Gas-fired, tankless, condensing, wall-mounted water heater(s) shall be direct vent NPE-2 Series models as manufactured by Navien, Inc. and are certified by CSA Group to the latest edition of ANSI Standard Z21.10.3-CSA 4.3. Water heater(s) shall have a 15(5)-year limited Heat Exchanger warranty and 5(3)-year limited Parts warranty (8(5)-year Heat Exchanger and 5(3)-year Parts for Commercial use) per Navien Limited Warranty. Unit(s) shall be designed to burn natural gas and can be for use with propane when a Gas Conversion Kit is installed. _____ (qty). NPE water heater(s) shall have a nominal flow rate capacity of _____ GPM/GPH at _____ °F rise with rated input of _____ BTU/hr. Water heater(s) shall be vented with 2" Schedule 40/80 PVC/CPVC, approved polypropylene and stainless steel vent pipe at a distance not to exceed 75' (or equivalent) with each elbow equal to 8' of pipe length or 3" Schedule 40/80 PVC/CPVC, approved polypropylene and stainless steel vent pipe at a distance of 150' (or equivalent) with each elbow equal to 5' of pipe length. Water heater(s) is rated for 150 PSI working water pressure and 300 PSI test pressure. Gas supply pressure shall be 3.5" to 10.5" WC for natural gas and 8.0" to 13.0" WC for propane. Unit(s) shall have a steel case, dual stainless steel heat exchangers, eco premixed burner, negative pressure gas valve, dual venturi, 3/4" inlet gas connection, 3/4" brass inlet/outlet water connections, water holding capacity of 0.6 gallons for the NPE-150S2, 1.0 gallon for the NPE-180A2 model (0.7 gallons for NPE-180S2 model), 1.2 gallons for the NPE-210A2/NPE-240A2 models (0.7 and 0.9 gallons for NPE-210S2 and NPE-240S2 models respectively), and a condensate collector. The NPE-180A2 model weighs 73 lbs (NPE-180S2 weighs 68 lbs), and the NPE-210A2/NPE-240A2 models weigh 77 lbs (NPE-210S2 and NPE-240S2 weigh 73 lbs) and the NPE-150S2 weigh 62 lbs. Unit(s) shall include features such as an adjustment for installations at high elevation, temperature lockout, and temperature options from 97-120°F in 1°F intervals and 120-140°F in 1°F intervals. The unit(s) shall include additional temperature options of 140-185°F in 1°F intervals, for high temperature commercial applications. All NPE "A2" models shall include an internal circulation pump and 0.5-gallon buffer tank. The water heater(s) shall be controlled by an internal circuit board that monitors the inlet and outlet temperatures with installed thermistors, sensing and controlling flow rate to set point temperature with air-fuel ratio controls in order to maintain thermal combustion efficiency. Unit(s) shall include safety features such as flame sensor system, high limit sensors, overheat prevention device, freeze protection mode, and fan motor rotation detector. Multi-system (cascade) applications that require 2 to 32 units shall be installed by connecting the units using cable only connections (Ready Link). The water heater(s) exceeds the energy efficiency requirements of ASHRAE 90.1-2010 and is listed by SCAQMD Rule 1146.2 (Type 1) as compliant with Rule 1146.2 (Type 1) for Ultra Low NOx requirements of 14 ng/J or 20 ppm @ 3% O2.

* Navien reserves the right to change specifications at any time without prior notice





Lead Free* Brass Tankless Water Heater Valve Kit, FNPT x FNPT

Product Specifications

Page 1 of 2

✓ To Submit	Part #	Size
	ML3420RAB	3/4"

Product Features, Hot Water Valve:

- FNPT x FNPT Ends
- Forged Brass Construction
- 600# WOG Rating (non-shock)
- 1/4 Turn Operation
- Virgin PTFE Seats
- Adjustable Packing
- Blow-Out Proof Stem
- Integral Hose End Drain/Purge Port with Cap
- Hot Valve with Integral 3/4" FNPT Relief Valve Port
- AB1953, NSF-61 & NSF-372 Certified

Kit Contents:

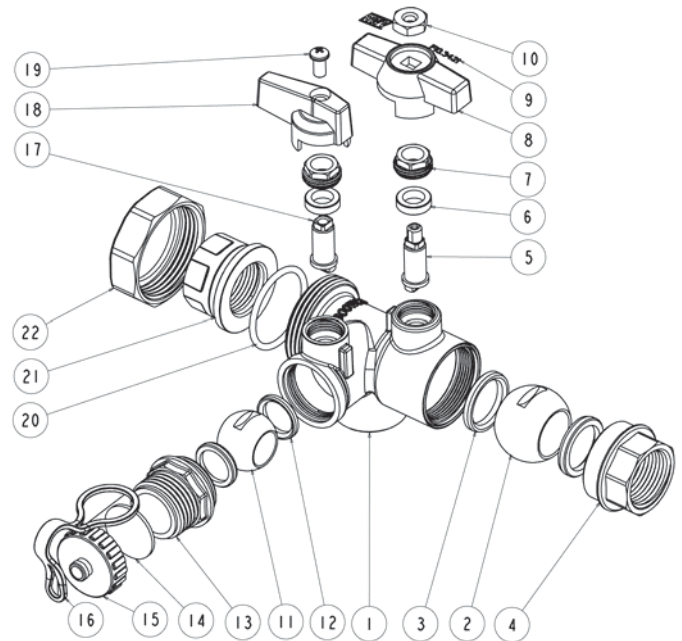
- Hot Valve, with 200K BTU/HR Pressure Relief Valve
- Cold Valve



909161

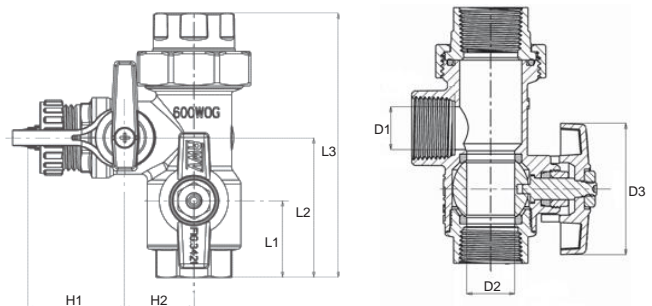
Materials & Specifications:

Item	Description	Material	Specification
1	Body	Low Lead Brass	CW510L
2	Ball	Low Lead Brass / Cr Plated	CW510L
3	Seat	PTFE	PTFE
4	Fixed End	Low Lead Brass	CW510L
5	Stem	Low Lead Brass	CW510L
6	Packing Ring	PTFE	PTFE
7	Packing Nut	Brass	B124 C37700
8	Red T-handle	Aluminum	ASTM B85
9	Valve Info	-	-
10	Handle Nut	Steel / Zn Plated	ASTM A36
11	Ball	Low Lead Brass / Cr Plated	CW510L
12	Seat	PTFE	PTFE
13	Fixed End	Low Lead Brass	CW510L
14	Drain Gasket	EPDM Perox	NSF Approved
15	Drain Cap	Brass	B283 C37700
16	Cap Retainer	Rubber	-
17	Stem	Low Lead Brass	CW510L
18	Red L-handle	Aluminum	ASTM B85
19	Handle Screw	Steel / Zn Plated	ASTM A36
20	O-ring	EPDM Perox	NSF Approved
21	Union	Brass	B283 C37700
22	Union Nut	Brass	B283 C37700



Dimensions (inches), Weights (lbs.), & Valve Data:

Size	H1	H2	L1	L2	L3	D1	D2	D3	Wt.
3/4"	1.56	1.1	1.22	2.23	4.22	0.71	0.79	2.17	1.78
1"	1.48	1.18	1.69	2.76	4.59	0.91	0.98	3.23	1.96



Warranty

See warranty information for more details.



All dimensions listed are nominal. MAINLINE® reserves the right to make product and material changes at any time without notice.

Contact your sales representative for more information or visit our website at mainlinecollection.com

Revised 8/3

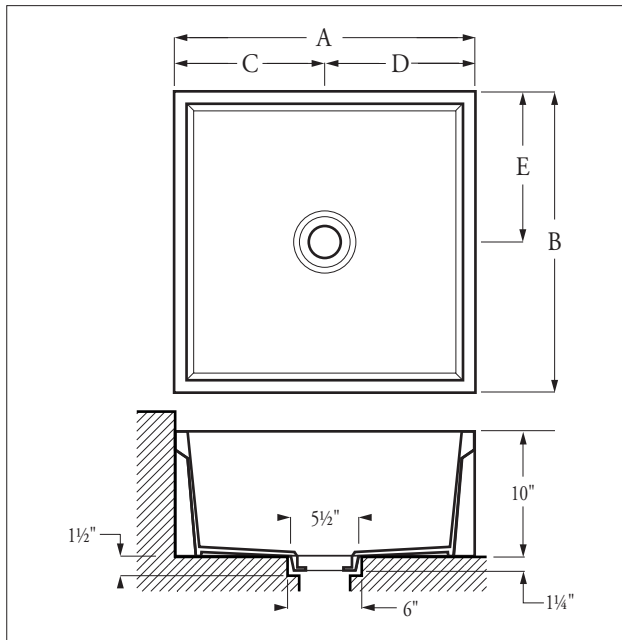


*
MS-1







Molded one-piece construction for light weight and easy handling. Supplied with Wedge-Lok™ seal, integral drain and chrome strainer.



Model	A	B	C	D	E	WT.
MSR-2424	24"	24"	12"	12"	12"	50
MSR-3624	36"	24"	18"	18"	12"	72

Standards:

I.A.P.M.O.	International Association of Plumbing and Mechanical Officials File No. 2646.	 
ANSI	American National Standards Institute - Specifications Z-124.6.	
HUD/FHA	National Specifications UN-73.	
CSA TEST	Warnock Hersey Listed: CAN / CSA - B45.0 - CAN / CSA - B45.5	

Florestone Models MSR-2424/MSR-3624 Molded Mop Receptors

Architect's Specifications

Furnish and install molded Mop Receptor Model MSR-2424 / MSR-3624 (specify) as manufactured by Florestone Products Co. Molding will be done under heat and pressure using matched metal dies. The unit will be one piece with no seams. Shoulders will be no less than 1" wide and 9½" inside. Receptor will have ribbed underbody and integral drain providing for a no-caulked connection to be 2" or 3" ABS, PVC, cast iron or steel pipe (specify drain size). Drain grid will be 18-gauge stainless steel, flat type, #430.

Molded mop sinks are supplied with Wedge-Lok® seal for use on ABS, PVC, cast iron or steel pipe.

 **FLORESTONE**
A Spec Above.™

FLORESTONE PRODUCTS CO., INC.

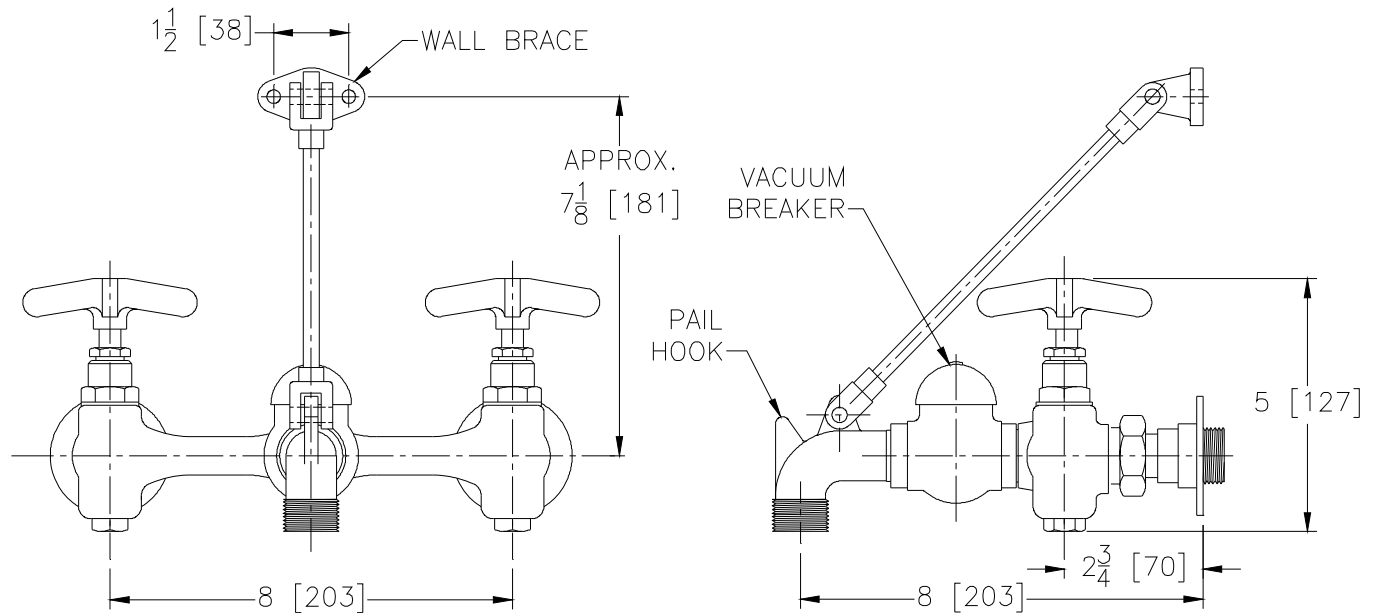
2851 Falcon Drive • Madera, CA 93637

T. 559.661.4171 • T. 800.446.8827

F. 559.661.2070 • florestone.com



Dimensional Data (inches and [mm]) are Subject to Manufacturing Tolerances and Change Without Notice



19819

ENGINEERING SPECIFICATION: Z1996-SF

Service Sink Faucet - Chrome plated service faucet, complete with vacuum breaker, integral stops, adjustable wall brace, pail hook, four-arm hot and cold handles and $3/4$ [19] hose thread on spout. Water inlets are for $1/2$ [13] pipe and are eccentric on an 8 [203] centerline.

NOTE:

CONFORMS TO: ASME A112.18.1-2005/CSA B125.1-2005



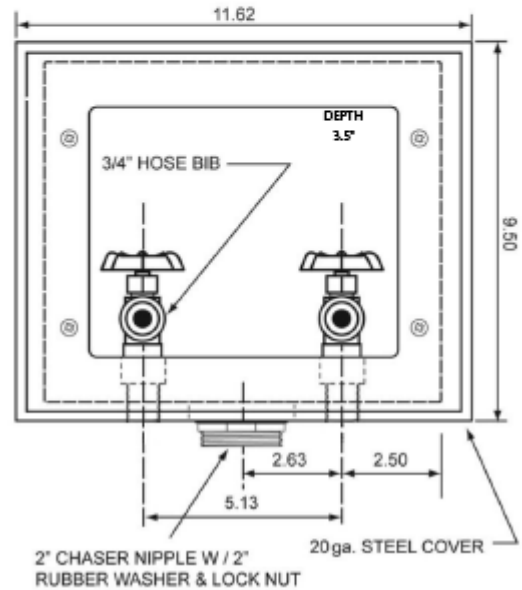
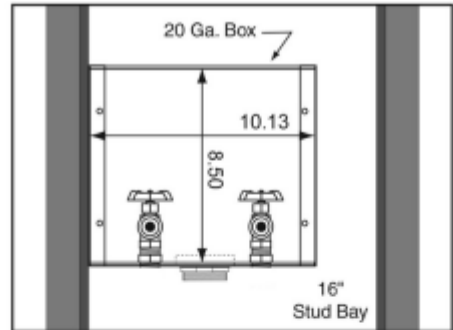
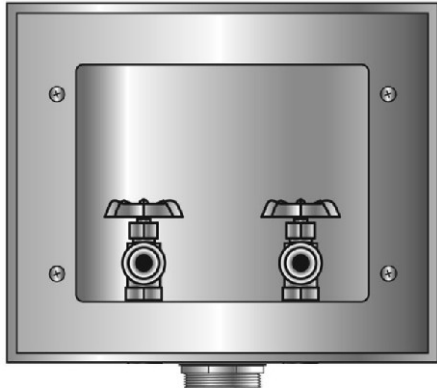
*

WB-1





Center Drain Galvanized WMOB
with Domestic Valves



Specifications:

Furnish and install galvanized center drain washing machine outlet box. Unit shall be Guy Gray product code as manufacture by IPS Corporation.

Box Material:

G90 Hot Dipped Galvanized Steel (unpainted)
20 gauge box with 20 gauge faceplate

Valve & Drain Options:

Domestic Valve with 1/2" MIP/Sweat, PEX or CPVC connection furnished. 1-1/2" or 2" Threaded Drain. Valves comply with ASME A112.18.1.

36148

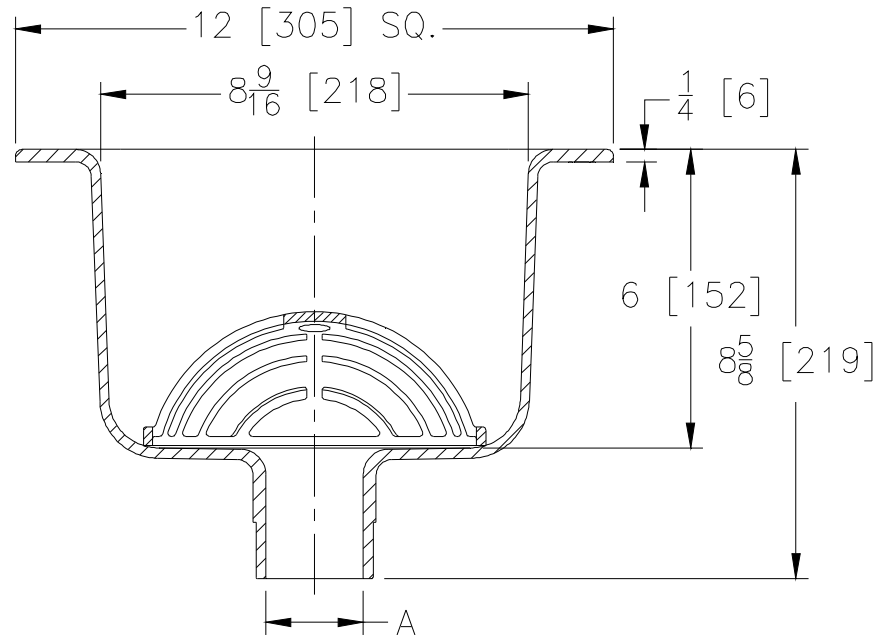
Product Code #	Product Description	Model Number	Units/Case
82026	Domestic Valve w/1/2" MIP/Sweat Conx. Valve, 1-1/2" Threaded Drain Fitting	B150	6
82032	Domestic Valve w/1/2" MIP/Sweat Conx. Valve, 2" Threaded Drain Fitting	B200	6
82036	Top Mount 1/2" MIP/Sweat Conx. Valves, 2" Threaded Drain Fitting	BB200TS	6
81974	Domestic Valve w/1/2" Pex Conx., 2" Threaded Drain	B200X	6
81975	Domestic Valve w/1/2" CPVC Conx., 2" Threaded Drain	B200C	6
81957	Outlet Box, less valves, valve holes already punched	B200LV	6
96997	Tamper resistant cover for Models B, BB, WB, FB & BIM	BTRC	6



*
FS-1



Dimensional Data (inches and [mm]) are Subject to Manufacturing Tolerances and Change Without Notice



18052

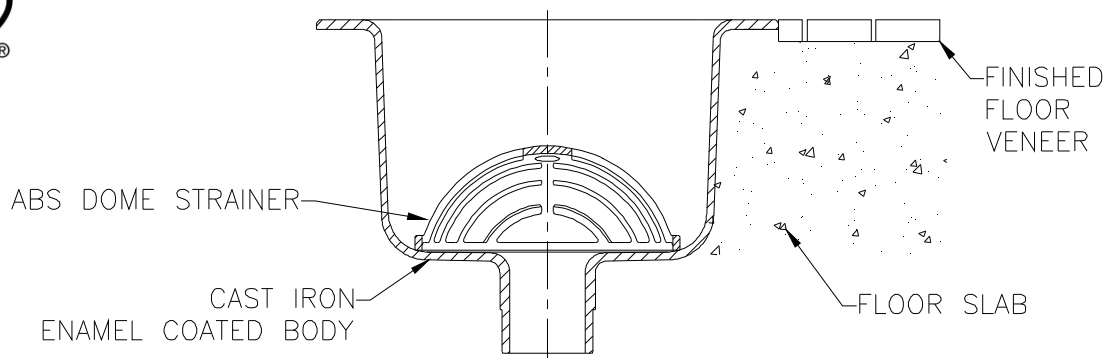
Product	'A' Connections
__ FD2375-NH2	2 [51] No-Hub
__ FD2375-NH3	3 [76] No-Hub
__ FD2375-NH4	4 [102] No-Hub

FD2375 12x12 [305x305] A.R.E. Floor Sink 6 [152] Sump Depth

Recommended for sanitary installations. Cast iron body with a white acid-resisting porcelain enamel interior coating, and an ABS anti-splash dome strainer.

OPTIONS:

- ___ -F Full Grate
- ___ -H 1/2 Grate
- ___ -T 3/4 Grate
- ___ -Y Sediment Bucket

Typical Installation


*
FD-1





Round Adjustable Floor Drain w/ Nickel Bronze or Polished Bronze Top

Dimensional data (inches and [mm]) are subject to manufacturing tolerances and change without notice.

PRODUCT DESCRIPTION:

(Dura-Coated Cast Iron, ABS, or PVC) drain body with plugged 1/2 [13] trap primer connection, (cast iron or ABS) threaded adjustable adaptor, and round (polished bronze, polished nickel bronze or chrome-plated bronze) secured, light-duty top with easy snap-on assembly. Materials to be selected as required for application.

Top Size and Material - (Pick ONE)

<input type="checkbox"/> LC-FR05CP	5 [127] Chrome-Plated Bronze Top	29/32 [23] Min. 2-9/16 [65] Max. Adjustment
<input type="checkbox"/> LC-FR05PB	5 [127] Polished Bronze Top	29/32 [23] Min. 2-9/16 [65] Max. Adjustment
<input type="checkbox"/> LC-FR05NI	5 [127] Polished Nickel Bronze Top	29/32 [23] Min. 2-9/16 [65] Max. Adjustment
<input type="checkbox"/> LC-FR06NI	6 [152] Polished Nickel Bronze Top	29/32 [23] Min. 2-9/16 [65] Max. Adjustment
<input type="checkbox"/> LC-FR07NI	7 [178] Polished Nickel Bronze Top	31/32 [25] Min. 2-9/16 [65] Max. Adjustment
<input type="checkbox"/> LC-FR08NI	8 [203] Polished Nickel Bronze Top	1-1/32 [26] Min. 2-11/16 [69] Max. Adjustment
<input type="checkbox"/> LC-FR10NI	10 [254] Polished Nickel Bronze Top	1-3/16 [30] Min. 2-27/32 [72] Max. Adjustment

Threaded Shank Material - (Pick ONE)

<input type="checkbox"/> LC-CS	Cast Iron Adaptor	4 [102] NPSM Threads
<input type="checkbox"/> LC-PS	ABS Adaptor	4 [102] NPSM Threads

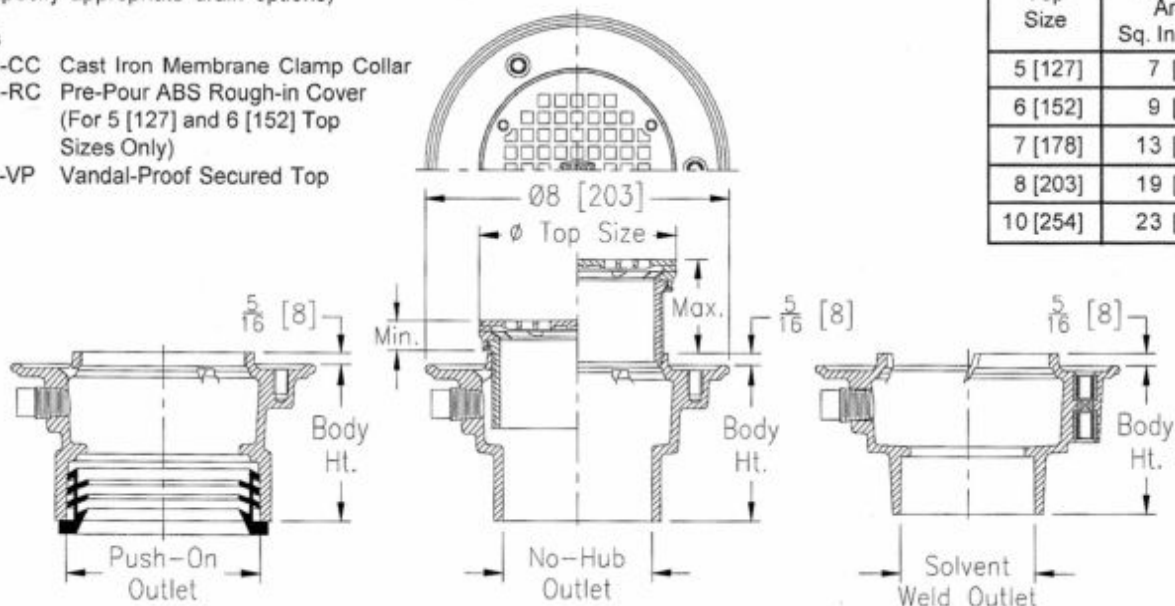
Drain Body Material / Outlet Size / Outlet Type - (Pick ONE)

<input type="checkbox"/> LC-C2N	D.C.C.I.	4 [102] Body Ht.	2 [51] No-Hub Outlet
<input type="checkbox"/> LC-C3N	D.C.C.I.	4 [102] Body Ht.	3 [76] No-Hub Outlet
<input type="checkbox"/> LC-C4N	D.C.C.I.	4 [102] Body Ht.	4 [102] No-Hub Outlet
<input type="checkbox"/> LC-C2P	D.C.C.I.	4-5/64 [104] Body Ht.	2 [51] Push-On Outlet
<input type="checkbox"/> LC-C3P	D.C.C.I.	4-3/64 [102] Body Ht.	3 [76] Push-On Outlet
<input type="checkbox"/> LC-C4P	D.C.C.I.	4-1/64 [102] Body Ht.	4 [102] Push-On Outlet
<input type="checkbox"/> LC-A2S	ABS	3-5/64 [78] Body Ht.	2 [51] Solvent Weld Outlet
<input type="checkbox"/> LC-A3S	ABS	3-51/64 [96] Body Ht.	3 [76] Solvent Weld Outlet
<input type="checkbox"/> LC-A4S	ABS	4-1/64 [102] Body Ht.	4 [102] Solvent Weld Outlet
<input type="checkbox"/> LC-P2S	PVC	3-5/64 [78] Body Ht.	2 [51] Solvent Weld Outlet
<input type="checkbox"/> LC-P3S	PVC	3-51/64 [96] Body Ht.	3 [76] Solvent Weld Outlet
<input type="checkbox"/> LC-P4S	PVC	4-1/64 [102] Body Ht.	4 [102] Solvent Weld Outlet

(Check/specify appropriate drain options)

Suffixes

- LC-CC Cast Iron Membrane Clamp Collar
 LC-RC Pre-Pour ABS Rough-in Cover
 (For 5 [127] and 6 [152] Top Sizes Only)
 LC-VP Vandal-Proof Secured Top



Top Size	Top Open Area Sq. In. [cm ²]
5 [127]	7 [45]
6 [152]	9 [58]
7 [178]	13 [84]
8 [203]	19 [123]
10 [254]	23 [148]

* Regularly furnished unless otherwise specified.

Zurn Industries, LLC | Light Commercial Plumbing Products
 1801 Pittsburgh Avenue, Erie, PA U.S.A. 16502 - Ph. 855-663-9676, Fax 814-454-7929
 In Canada | Zurn Industries Limited
 3544 Nashua Drive, Mississauga, Ontario L4V 1L2 - Ph. 905-405-8272, Fax 905-405-1292
www.zurn.com

Rev. -
 Date: 6/4/13
 C.N. No. 129473
 Form # LC11

Sheet 1 of 9

921402



*
TP-1



Pressure Drop Activated Trap Primer

Product Specifications



FEATURES

- Will prime up to 2 floor drains with MLDU-U distribution unit (sold separately)
- Primer is to be connected to cold, fresh water supply lines of 1 1/2" diameter or less
- Operating Range: 20 psi minimum to 80 psi (138 to 552 kpa) max
- Pressure requirement: 10 psi (70 kpa) pressure drop across the valve to activate
- Material: 360 brass, EPDM E70 O-rings, Dow #7 Silicone, #60 stainless steel mesh screen

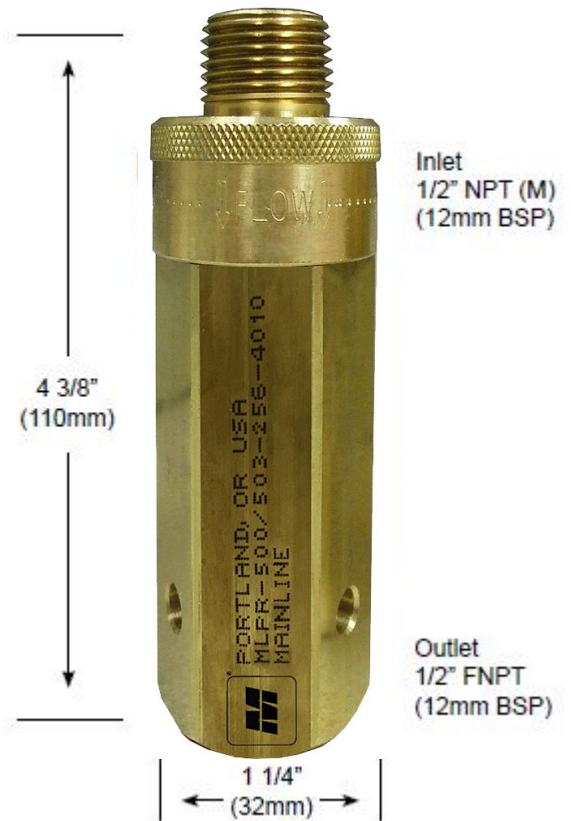
MLPR-500 Floor Drain Trap Primer Dist. Chart

# of Drains	Supply Tube	Distribution Units
1	N/A	N/A
2	N/A	MLDU-U

Maximum water delivery based upon pressure drop and fixture unit activity on the system.

MLPR-500

NO Adjustment Required!



1229451



Warranty

See warranty information for more details.

All dimensions listed are nominal. MAINLINE® reserves the right to make product and material changes at any time without notice.

Contact your sales representative for more information or visit our website at mainlinecollection.com



*
P-1



ProVore[®] 380

Simplex Grinder System

Liberty Pumps[®]

A Family and Employee Owned Company

1 hp

2" Discharge

Compact simplex system - designed for residential sewage applications

Perfect for basement bathroom additions and remodeling projects

Available in 115V or 230V

Fully assembled from factory

Features

- Robust system features a compact heavy-duty polyethylene basin and cover
- System can be installed above or below grade level
- 41 gallon capacity
- Patented V-Slice[®] Cutter Technology shreds difficult solids such as feminine products, rags, towels and wipes that can jam solids handling pumps
- Easy access cover with QuickTree[®] technology – allows for quick float switch removal and servicing
- Heavy-duty integrated rubber gaskets on covers
- Secure 16 bolt cover standard on all models
- Passes 10' stack test



908726



Patent: See
www.LibertyPumps.com/patents

Shipped with Clear Construction Cover



Clear disposable cover protects the system during masonry work and rough-in



innovate. evolve.



ProVore® 380

ProVore® 380

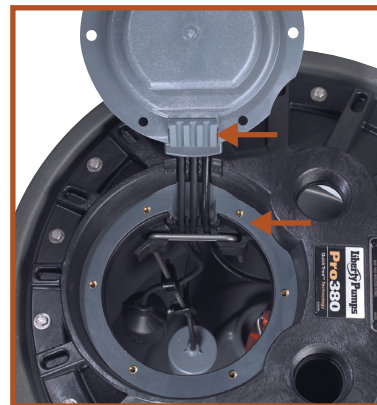
QuickTree® Technology

Features

- QuickTree® Technology allows easy access and removal of float switches without disturbing pump or plumbing
- Integrated rubber seals permanently attached to cover
- Unique cord seal technology integrated into the inspection cover
- Shallow basin design (24") for easier installation in difficult soil/bedrock locations
- Large 41 gallon capacity for longer pump cycles
- Integrally molded torque stops secure the pump in its proper position
- Integrally molded anti-flotation collar
- Durable polyethylene construction
- Completely assembled

QuickTree® Technology

Integral Rubber Seals

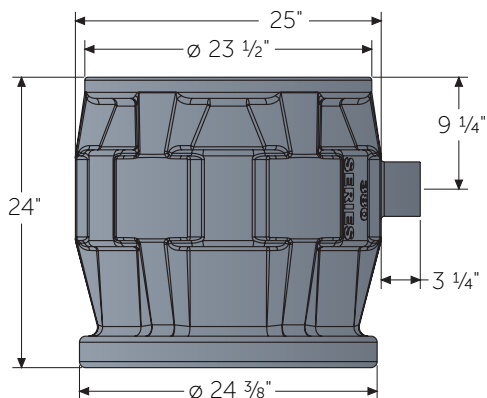


Unique integrated cord seal technology and permanent rubber cover gaskets



Patent: See www.LibertyPumps.com/patents

Dimensional Data



Models:

MODEL	HP	VOLTS	PHASE	DISCHARGE	CORD LENGTH	WEIGHT
P382XPRG101	1	115	1	2"	10'	87 lbs
P382XPRG101V	1	115	1	2"	10'	87 lbs
P382XPRG102	1	230	1	2"	10'	87 lbs

"V" model = vertical float switch. All other models are wide-angle. See specific PRG-Series literature for complete pump performance and specifications.

For 25' power cord add "-2" suffix to model number.

Example: P382XPRG101-2

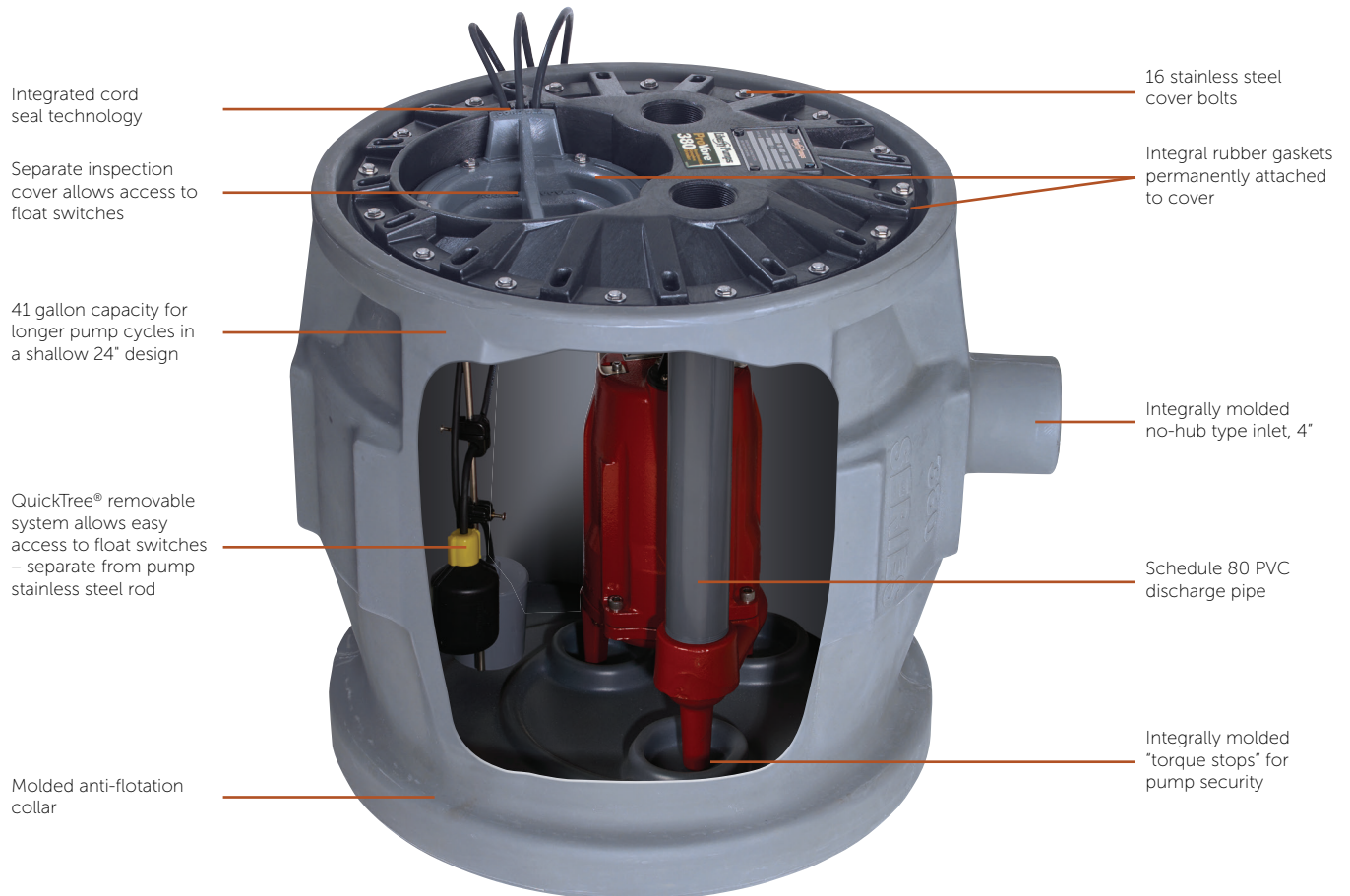
For side discharge models, see ProVore® SD-Series literature.

908726



ProVore® 380-Series 24"x24" - 41 Gallons

1 hp Grinder Package

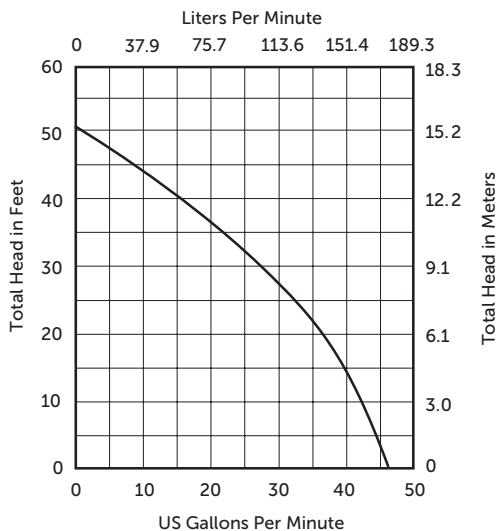


908726

Patent: See www.LibertyPumps.com/patents

Performance Curve

60 Hz, 3450 RPM



NEW!

LibertyPumps

NightEye®

Wireless Enabled Alarms

AVAILABLE

See back page for ordering information

IAPMO Listed Basins

The ProVore® 380 Basin is specifically designed to pass a 10' stack test and is IAPMO listed.



ProVore® 380-Series

Optional Access Riser

Riser allows burial of the ProVore® 380 System up to a maximum depth of 18" below grade

A convenient chamber for all your pump's electrical and piping connections – out of sight and below grade. Riser simply slides over the sealed 380 system. Cover is retained by 4 stainless steel bolts and features a twist-lock design with provision for padlock to deter unwanted entry.

Specifications

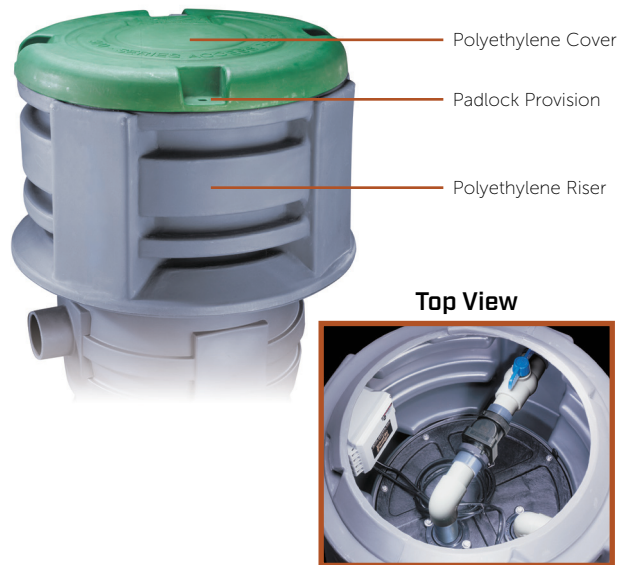
Weight: 28 lbs (Riser and Cover)

Riser Height: 18-3/4"

Total Height with Cover: 20-1/2"

Diameter: 32"

MODEL	DESCRIPTION
AR18	Access Riser
AC18	Access Riser Cover (Environmental Green)
ARC18	Kit, Access Riser with Cover
ARCKIT115	Kit, Access Riser with Cover and 2" installation accessories - 115V
ARCKIT230	Kit, Access Riser with Cover and 2" installation accessories - 230V
IKIT2-115	Installation Kit 2", 115V
IKIT2-230	Installation Kit 2", 230V



Liberty Pumps installation kits provide all the components for a professional installation inside the riser. Kit includes: JB-Series wiring box and hardware, check valve with a disconnect union feature, coupling and elbows (PVC piping not included). Kits available in 2" discharge and vent size only.

ProVore® 380-Series Alarmed System

Now have the assurance of early warning in the event of a high-level condition with an alarm option installed from the factory! We do the work for you by mounting the alarm float switch in the basin at its proper level – no need to even open the cover! Simply mount the alarm panel in its desired location, supply power, and connect the alarm float switch leads! Standard alarm and NightEye® wireless alarm available.

How to Order

ALARM MODEL	DESCRIPTION	FLOAT SWITCH CORD	ADD SUFFIX	ORDER EXAMPLE
ALM-2	Standard indoor	20'	/A2	P382XPRG101/A2
ALM-2-EYE	NightEye® wireless indoor	20'	/A2-EYE	P382XPRG101/A2-EYE

Alarm float switch is pre-set at proper level in basin. Alarm panel packaged with unit. See ALM or ALM-EYE Series literature for complete alarm specifications.

NEW!

NightEye®
 Wireless Enabled Alarm
AVAILABLE



ALM-2-EYE

Patent: See
www.LibertyPumps.com/patents

**FREE app
 download**

